

# WovēnGold



pamper your senses



# WovēnGold



A young woman with brown hair pulled back, wearing a white halter-neck bikini, is sitting in a swimming pool. She is smiling and looking towards the camera. She is holding a clear glass with a black straw containing a yellow drink with fruit. The pool water is blue and rippling. The background is slightly blurred, showing the pool's edge and some foliage.

Rejuvenating  
with a fresher  
appeal...

# Index

## About the company and the products

6-20

### Spa

22

■ Platinum/Perfect/Premium	32
■ Barcelona	33
■ Triumph V1/V2	35
■ Glow	37
■ Relay	39
■ Grandee	41
■ Envoy	43
■ Emotion	44
■ Bliss	45
■ Tiago	46
■ Sentorini	47
■ Galaxy	48
■ Moderna	49
■ Classic	50
■ Swim Paradise	51
■ Carmenta	55

### Whirlpool Bath

57

■ WG 7000i	59
■ WG 7100i	61
■ WG 7200c	63
■ Mirage Solo	65
■ Mirage Twin	67
■ Calypso	69
■ Tunisia Solo	71
■ Tunisia Twin	73
■ Tunisia Lounge	75
■ Miona	77
■ Avon W/B	79
■ Graphite	80
■ Carol	81
■ Stark	82
■ Fortune	83
■ Freedom	85
■ Lavender	87
■ Sunstar	89
■ Flora + Fusion	91
■ Love	93
■ Endeavour	95
■ Sea	97
■ Rainbow	99
■ Majestic	101

■ Ocean	103
■ Pond	105
■ Explorer	107
■ Therapeutic Bath	109
■ Opulence	110
■ Muse	111
■ Symphony	112
■ Pearl	113
■ Glamour	115
■ Perfect	117
■ Amazon	119
■ Shine	120
■ Swift	121
■ Lagoon	122
■ Appeal	123
■ Grace	125
■ Desire	126
■ Beauty	127
■ Ideal	128
■ Ecstasy	129
■ Sonic	130
■ Smart	131
■ Attraction	132
■ Lord	133
■ Special	134
■ Century	135
■ Evoke	136
■ Victoria	137
■ Jasmine	139
■ Andrea	140
■ Raft	141
■ Radius	142
■ Creata	143
■ Olivia	144
■ Quadra	145

### Bath Tubs

147

■ Magnastar	149
■ Maurya	149
■ Voyage	150
■ Optima	150
■ Combine	151
■ Christina	151

■ Combi / Aura	152
■ Clario	152
■ Time	153
■ Liara	153
■ Marina	154
■ Crystal	155
■ Rhodos	155
■ Monte Carlo	156
■ Executive	156
■ Lotus	157
■ Technical Drawing	157/158

### Steam & Sauna

159

■ I Series Steam Bath	164
■ X Series Steam Bath	168
■ E Series Steam Bath	172
■ E & M Series Steam Bath	173
■ Commercial Series	174
■ Ambient Steam Column	175

### Sauna Bath

177

■ WG Chiller	184
--------------	-----

### Multifunction Cubicles

185

■ The Envy	189
■ The Radiance	191
■ WG-2024	193
■ WG-2025	194
■ WG - 2007/2008	195
■ Q - 3010 / Q - 3011	197
■ Q - 3009A	198
■ WG - 2011 (Mistiq)	199
■ WG - 2012 (Enigma)	200
■ Q - 3007	201
■ WG - 2010	202
■ WG - 2013 (Axis)	203
■ WG - 2014 (Raybon)	204
■ WG - 2023	205
■ Q - 3006	206
■ Q - 3001A	207
■ WG - 2017 (Symphony)	208
■ Concord Steam	209



# The name, the brand, that makes the difference...



## **WovenGold: Not just a name**

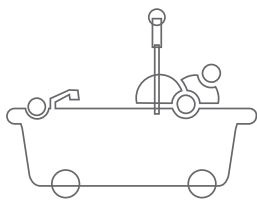
Paragons of the field, WovenGold has been manufacturing hydro massage baths and showers for more than five decades. Having become synonymous with “whirlpool bath”, WovenGold has patented hundreds of designs and innovative products. Unique and reliable in every way, these products are a combination of technology, ergonomics and design. Developed by the greatest Italian and International designers, these are marvels in aesthetics. Incorporating comfort and style, each product is in tune with the latest trends. Superior in quality, durability and reliability, they have been manufactured with the best components. Utilizing innovative and cutting edge technology in manufacturing, they have a sturdy structure with efficient insulation that reduces energy expenditure.

**WovenGold is not just a bath, it is an experience of harmony and wellness,  
an experience of Life.**



Rejuvenating  
with a fresher  
appeal...





# Holistic wellness for the body and the senses...

Life is demanding. Anxiety and stress are the resultants. Busy life craves a constant need for restoring balance and rhythm. WovenGold is inspired to improve life by providing revitalizing and rejuvenating shower experience. Designed with aesthetics, paramount functionality and high performance, the showers from WovenGold stand for health and pleasure. Representing jubilation for the body, euphoria for the senses, WovenGold brings holistic wellness along with an unforgettable experience.



# the therapy with **the flow of water...**

“the potent power restoring rhythm and balance of the senses”



**Water is life. It has the power to revitalize, rejuvenate and relax.**

At certain temperatures, in the form of steam or under the pressure of a jet or shower, it massages relieving muscular tension produced by stress and anxiety. It is the temperature and the movement of water that awaken the natural self-healing

mechanisms of the body. A shower can produce numerous invigorating benefits. As the water from the jet, falls on the body, it stimulates nerves resulting in improved circulation and other functions of the body, restoration of the skin, release of toxins and stress.

# WovenGold

much more  
than just a  
name...



The WovenGold collection is designed with expertise for highest relaxation. The novel designing is supported by ingenious engineering and excellent styling. With a touch of futuristic technology, the result is great products with superior performance to give ultimate relaxation for the body and the spirit.



### Design

Innovation, experience and functionality put together with great aesthetics.



### Performance

Years of research and advanced technology generate efficiency and great outcomes



### Technology

The advancements of modern times incorporated at every step of building the master piece



### Health

The ultimate goal of total well being by relaxing and rejuvenating body, mind and soul



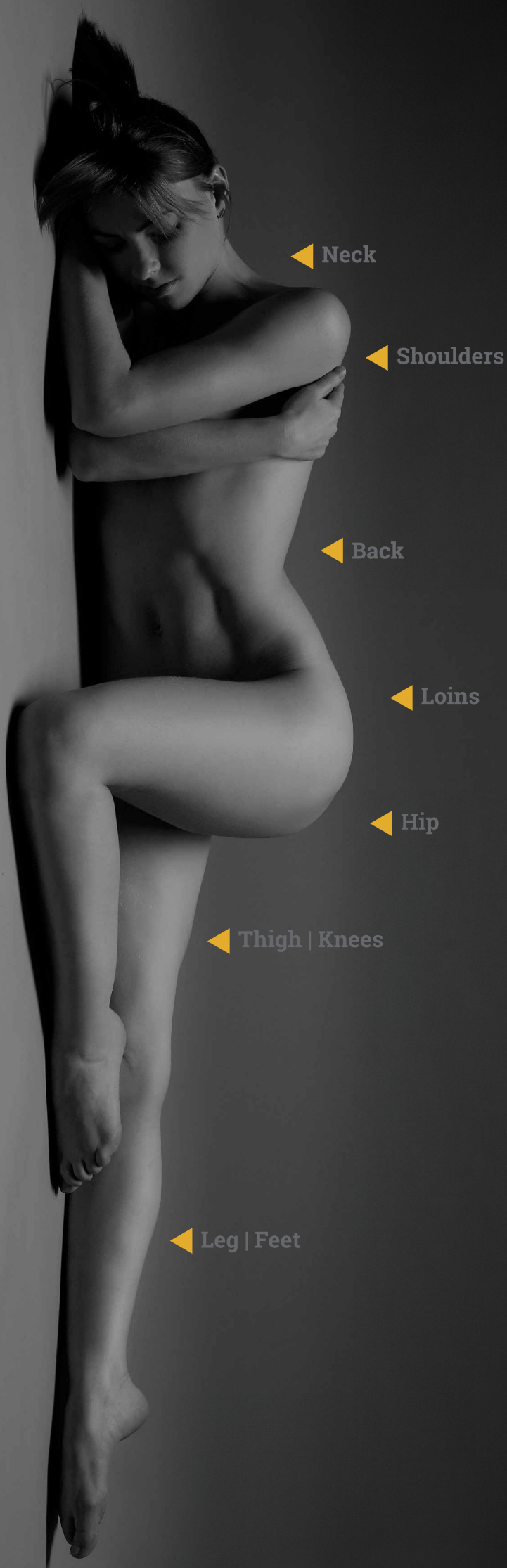
hydromassage:  
the **flow of**  
**hydrotherapy..**

"the potent power restoring rhythm  
and balance of the senses"

## How it works?

The gentle flow of water is rejuvenating. As it flows, streaming down your body, it revitalizes. The relaxation is enhanced by the warm surrounding lights. Transforming the space around, light stimulates your mood. With a softening effect it imbues tranquillity. The placid sound of flowing water along with the pleasant lights elevates your senses invoking peace and harmony.





◀ Neck

◀ Shoulders

◀ Back

◀ Loins

◀ Hip

◀ Thigh | Knees

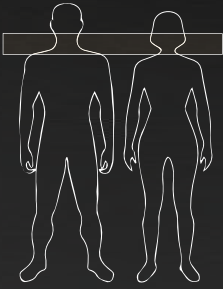
◀ Leg | Feet

## WovenGold: Jets give a targetted and powerful massage...

### How it benefits...

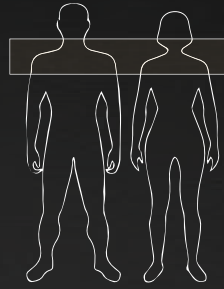
Hydrotherapy refreshes the body. Water when used as steam or in jet is capable of relieving stress and tension. As the jet of water from nozzles of Jacuzzi target areas of the body, the micro bubbles give a deep massage with improved circulation. The release of endorphins further produces a state of tranquility.

**Air massage:** targets lower body created by air generated from blower system which oxygenates the skin and rejuvenates skin.



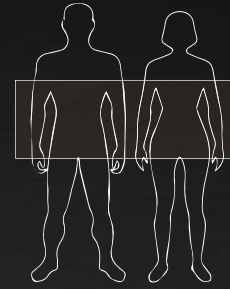
### **Neck**

The Jacuzzi jets target the neck muscles and give a strain relieving massage to reduce fatigue and pain.



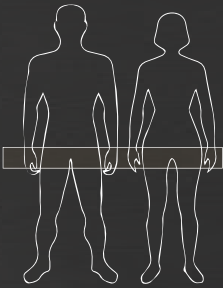
### **Shoulders**

The Jacuzzi jets in the upper zone target these muscles relaxing and relieving strain and fatigue.



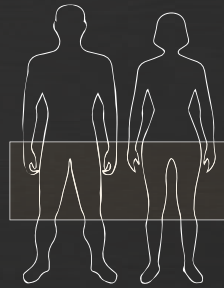
### **Back**

The lumbar jets with rotating function are just perfect for this area relieving pain and relaxing with consistent massage.



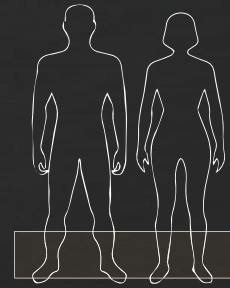
### **Lions**

The large jet placed in the centre for this particular area provides relaxation and relieves stress and pain.



### **Hip | Thighs | Knees**

The jets fitted especially for this target area stimulate blood circulation to produce relaxation.



### **Legs | Feet**

The jets positioned for the legs and the feet activate blood flow to these parts restoring strength and providing relief in pain.

## Six reasons to choose WovenGold



### Perfect Bath

Modern designs, great technology, and versatility make all Jacuzzi baths the perfect choice to enhance your bathing experience.



### Long Lasting Effect

With proper ergonomics and perfect depth, Jacuzzi baths give enough room to immerse you completely producing long lasting effect of the hydro- massage



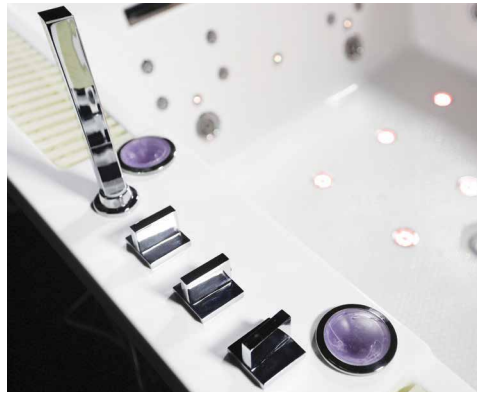
### Quality for Perfection

Jacuzzi spells quality utilizing the best material that is resistant to heat, light, moisture or any other pressures but flexible enough to allow versatile designing.



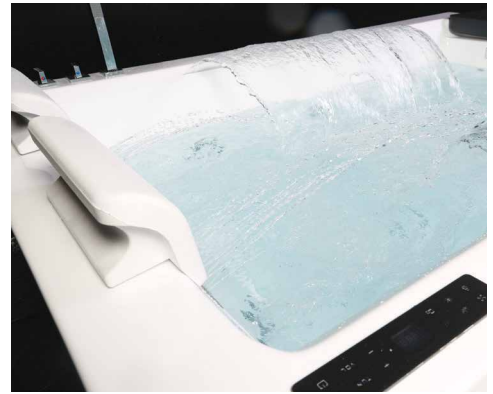
### **Feature Rich & Easy**

Jacuzzi baths have exquisite features that enhance beauty and comfort. Easy to use, they make the Jacuzzi experience all the more rejuvenating and relaxing.



### **Easy Control**

The baths have remote control that allows easy activation of all functions with simple touch giving best performance with ease.



### **Durability & Reliability**

Jacuzzi comes with a guarantee of durability and reliability that is synonymous with the name. Made from the best material utilizing the most advanced technology Jacuzzi is a product for a lifetime.

## Choosing your bath



 **Classic Massage**

A perfect combination of water and air produces a whirl like effect from the hydromassage nozzles to relieve the tensions in the muscles.

The user can customize the pressure from these nozzles to suit themselves.



 **Air**

As little bubbles coming from the jets at the bottom caress your body, they revitalize it. Adding fun to the Jacuzzi experience they energize the mind and soul.



 **Neck Fall**

Powerful jets relieve the stress in the muscles of the neck and shoulder region. Alleviating any pain, they induce relaxation for a great experience.



 **Cascade Fall**

Feel the soothing effect of water as it flows down in a cascade creating a revitalizing spa experience as you relax. The gentle sound and feel of water rejuvenates along with the powerful massage.

## Accessories to a perfect bath



**Heating**

The temperature of water can be controlled and kept constant to recreate the feeling of a great spa with a warm water therapy.



**Light Effect**

Lighting system illuminating the water enhances the mood and also provides chromotherapy.



**Remote Control**

The remote control is simple and intuitive device that allows various functions at the touch of a button.



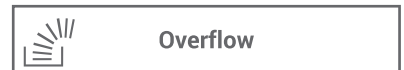
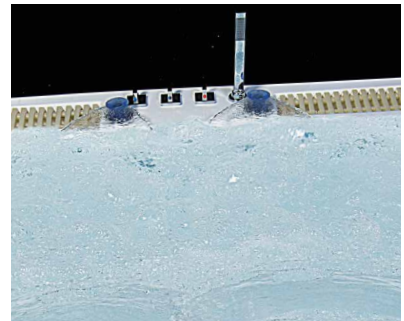
**Invisible**

This product is developed for those who love minimal look. However Woven Gold over the years through its R&D has found way to give maximum features in this minimal look series.



**Control**

The control panel allows the user to control all the functions in the system including hydromassage, light, radio, lock, alarm, steam etc. The user friendly control panels are back lit and icons are self explanatory.



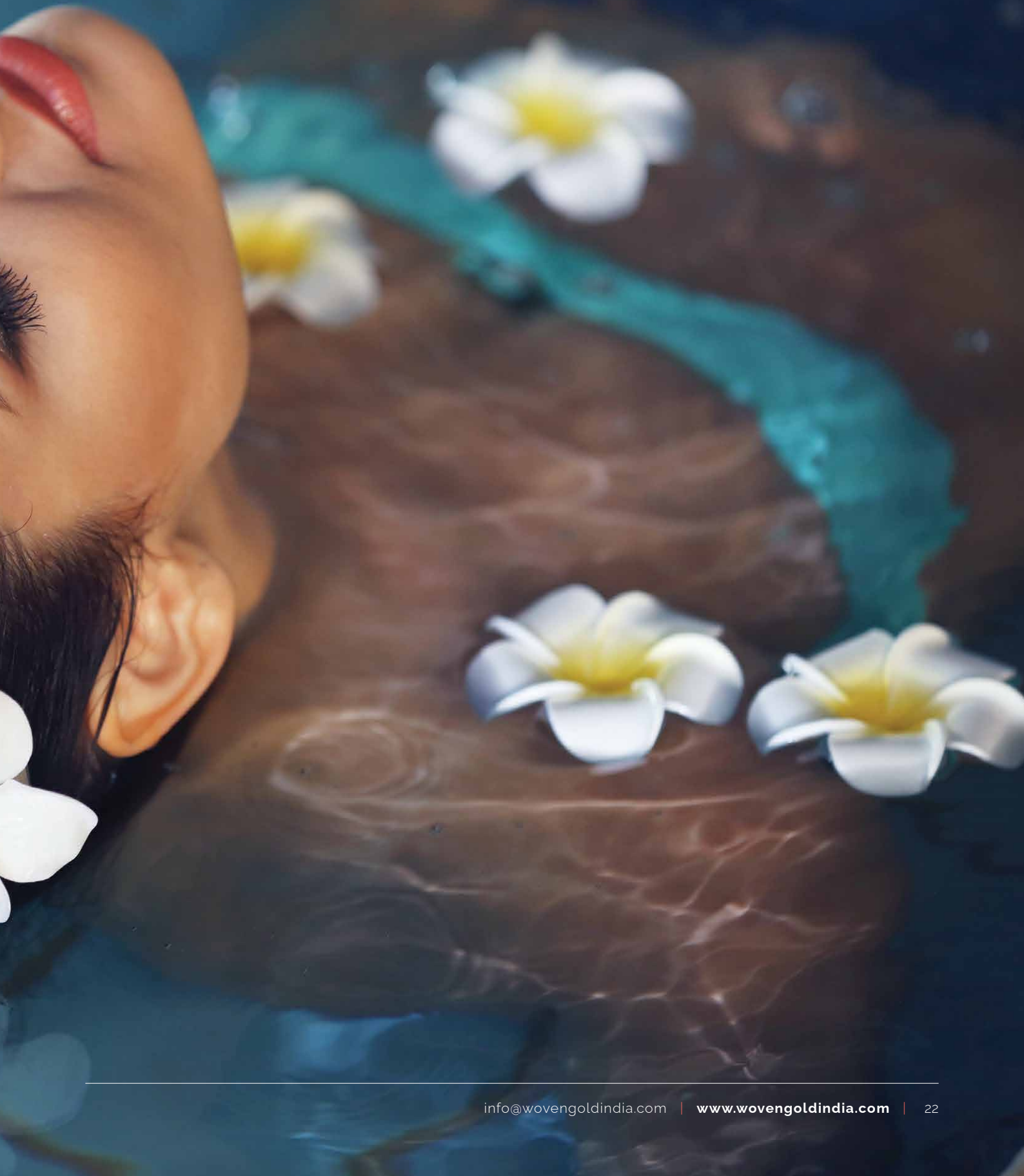
**Overflow**

This series of products allows the user to immerse themselves up to shoulder and have an experience like a hot tub.



# Spa





# The perfect spa

This Collection combines innovative technology, groundbreaking design and high performance hydromassage system. The collection establishes a new standard in whirlpool and bath luxury. The series features a cutting edge curve design, outer architectural lighting and an exterior skirt. This spa showcases our finest hydromassage jets to give you the ultimate relaxing moments.

Revolutionary Design

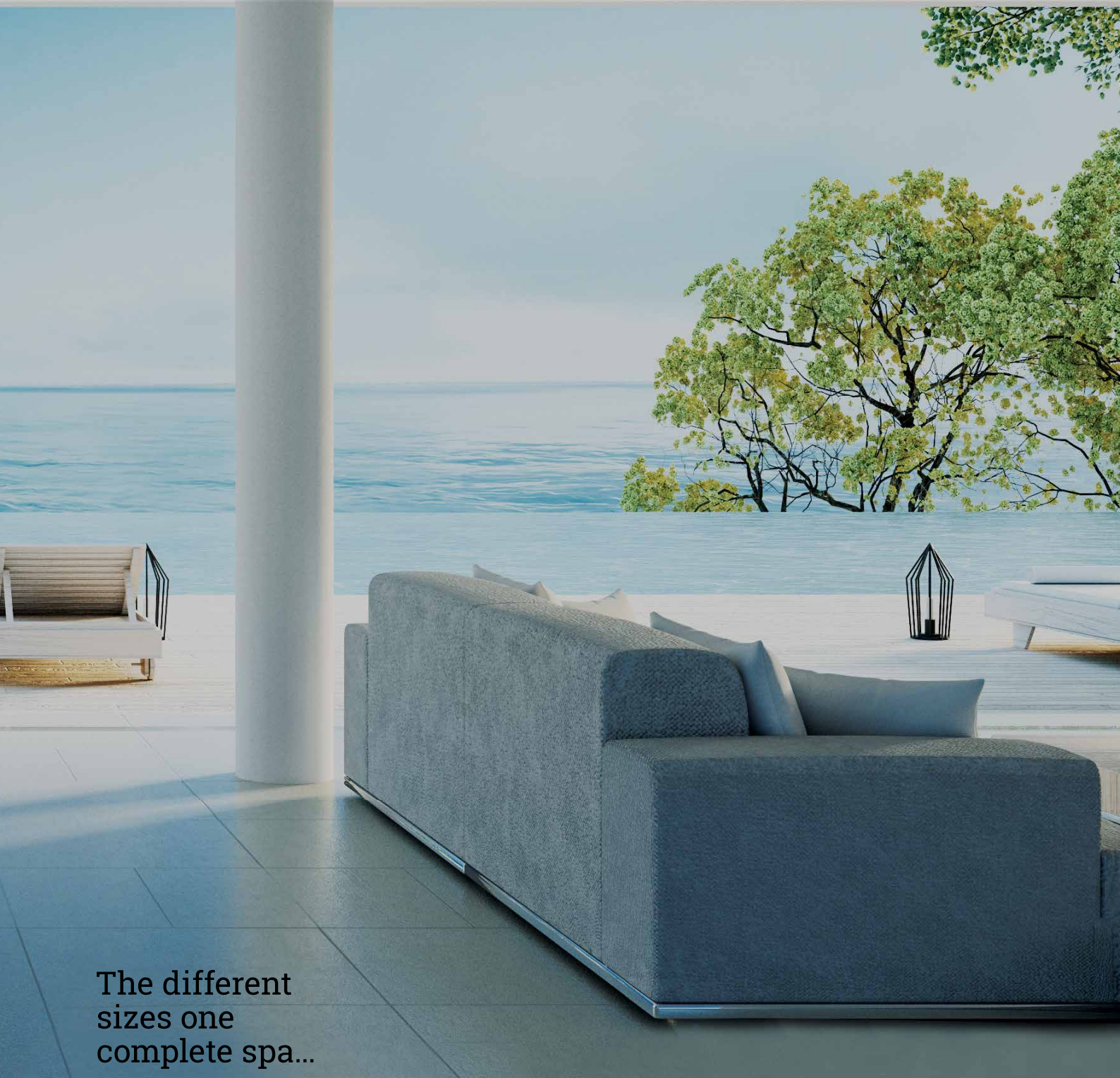


Legendary Performance

**The perfect spa  
at the comfort of your home...**



Platinum Plus  
Perfect Plus  
Premium Plus



The different  
sizes one  
complete spa...

# The JCS-SS1



## Wine Cooler

Wine cooler with two glass holder located at the corner.

## Aroma Therapy Dispenser

Aromatherapy dispenser lets you enjoy aroma while enjoying your hot tub.

## Nano Filtration System

Advanced floating nano cartridge filtration system



### Cascade Falls

Dual Cascade fall with chromotherapy light effects.

### Touch Screen Control

Allows full control of the features of the spa

### Exclusive Hydro Jets

Perfect combination of multi-flow jets located in strategical positions



4.5" Directional Jet



Twin Hole Rotary Jet



2.5" Directly Sprayed Jet



Rotary Jet



Neck Blaster Jet

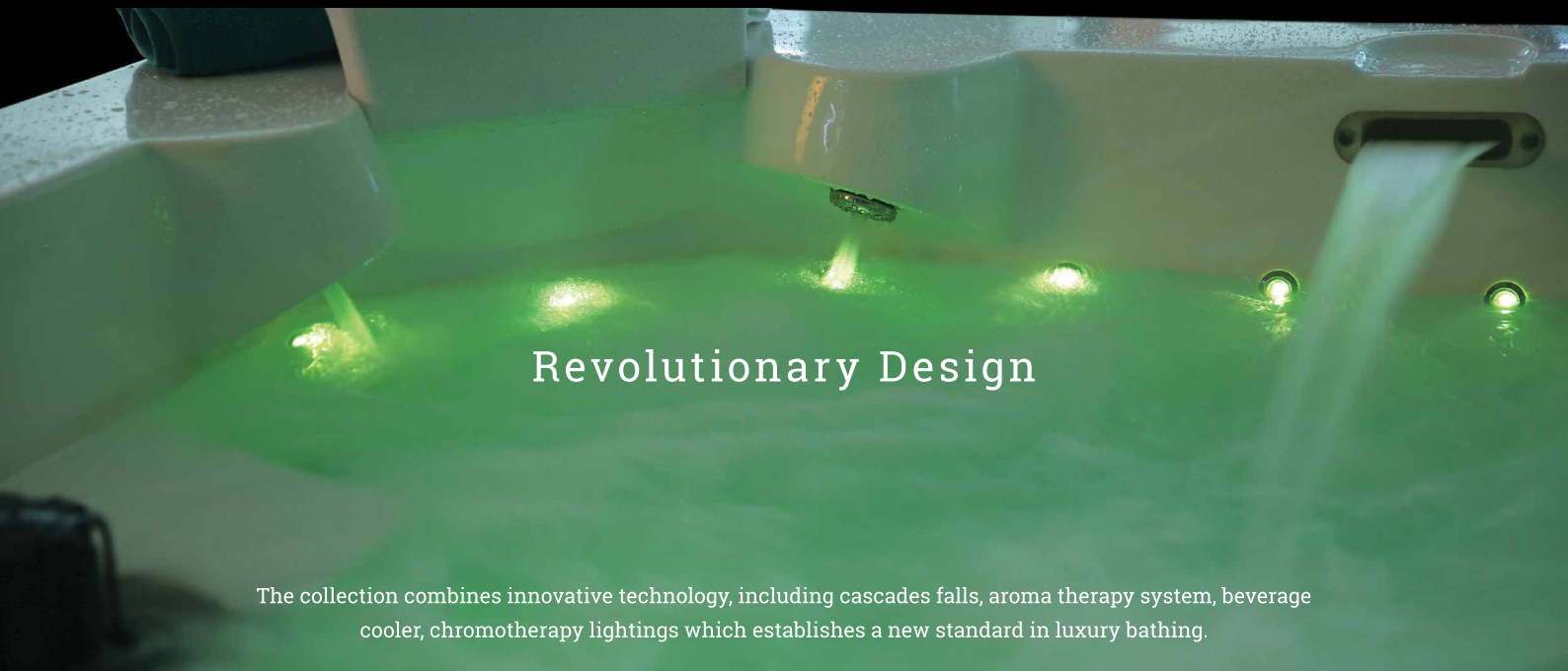


Cyclone Air Jet





Perfect Plus Top View



Revolutionary Design

The collection combines innovative technology, including cascades falls, aroma therapy system, beverage cooler, chromotherapy lightings which establishes a new standard in luxury bathing.

The tactical placement of jets gives you the ultimate hydromassage experience.



**Note:** Picture shown above is of Platinum Plus



**Note:** Picture shown above is of Premium Plus



### Platinum Plus

**Size:** 1830l x 1830w x 762d x 864h mm

#### Bathtub shell

- Sanitary ware grade acrylic with fiberglass reinforcement
- Pre leveled tub bottom
- Framed leg construction
- Slip resistant textured bottom
- Lying concept allows up to 1 recline position with 3 comfortable soft cushion for neck

#### Hydro massage jets

- 4.5" jets -2 pcs
- 3.5" jets -3 pcs
- 2.5" jets -10 pcs
- 2.0" jets -19 pcs
- 1.5" jets -14 pcs
- Neck blaster jets -2 pcs

#### Pumps, heater and filtration system

- Nano filtration system
- Blower pump 1 hp x 1 Pc
- Circulation Pump 0.5 hp x 1 pcs
- Spa pump 1 hp x 1 pc, 2 hp x 2 pcs
- Online heater 3 kw

#### Additional details

- 4" Cascade water fall with chromo light -2 Pcs
- Led light colored -24 pcs + 8 pcs (Skirt)
- 5" Aroma therapy dispenser
- Wine cooler with cover
- Digital control panel with display
- Headrests
- Ozonizer
- Radio
- Four Side Skirting



### Perfect Plus

**Size:** 1980l x 1915w x 762d x 864h mm

#### Bathtub shell

- Sanitary ware grade acrylic with fiberglass reinforcement
- Pre leveled tub bottom
- Framed leg construction
- Slip resistant textured bottom
- Lying concept allows up to 1 recline position with 3 comfortable soft cushion for neck

#### Hydro massage jets

- 4.5" jets -2 pcs
- 3.5" jets -4 pcs
- 2.5" jets -11 pcs
- 2.0" jets -22 pcs
- 1.5" jets -16 pcs
- Neck blaster jets -2 pcs

#### Pumps, heater and filtration system

- Nano filtration system
- Blower pump 1 hp x 1 Pc
- Circulation Pump 0.5 hp x 1 pcs
- Spa pump 1 hp x 1 pc, 2.5 hp x 1 pc
- Online heater 3 kw

#### Additional details

- 4" Cascade water fall with chromo light -2 Pcs
- Led light colored -24 pcs + 8 pcs (Skirt)
- 5" Aroma therapy dispenser
- Wine cooler with cover
- Digital control panel with display
- Headrests
- Ozonizer
- Radio
- Four Side Skirting



### Premium Plus

**Size:** 2286l x 1930w x 762d x 864h mm

#### Bathtub shell

- Sanitary ware grade acrylic with fiberglass reinforcement
- Pre leveled tub bottom
- Framed leg construction
- Slip resistant textured bottom
- Lying concept allows up to 1 recline position with 3 comfortable soft cushion for neck

#### Hydro massage jets

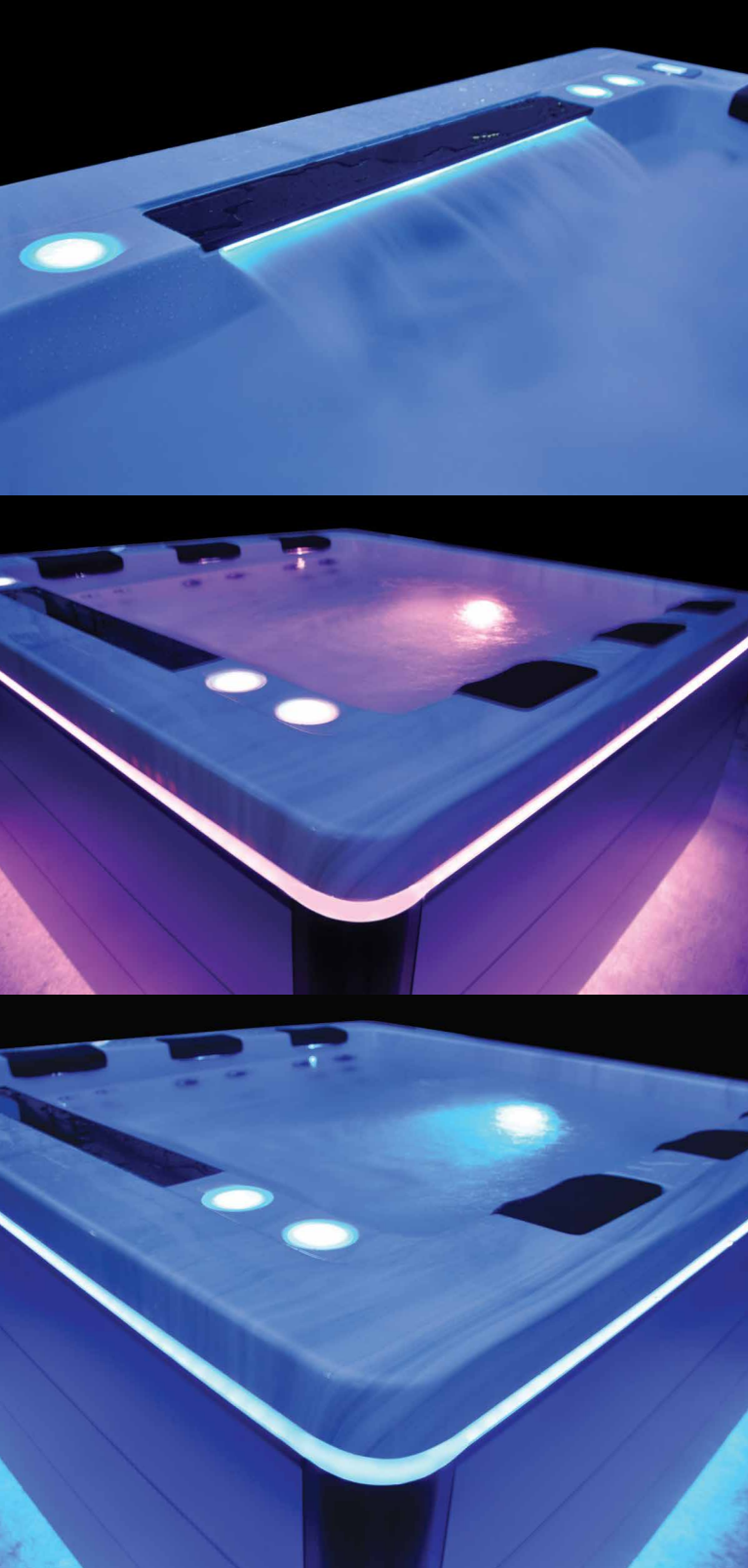
- 4.5" jets -3 pcs
- 3.5" jets -3 pcs
- 2.5" jets -13 pcs
- 2.0" jets -27 pcs
- 1.5" jets -18 pcs
- Neck blaster jets -4 pcs

#### Pumps, heater and filtration system

- Nano filtration system
- Blower pump 1 hp x 1 Pc
- Spa pump 1 hp x 1 pc, 2 hp x 2 pcs
- Online heater 3 kw

#### Additional details

- 4" Cascade water fall with chromo light -2 Pcs
- Led light colored -40 pcs + 8 pcs (In Corner Panel)
- 5" Aroma therapy dispenser
- Wine cooler with cover
- Digital control panel with display
- Headrests
- Ozonizer
- Radio
- Four Side Skirting



**Size:** 2100l x 1700w x 960h mm

**Bathtub shell**

- Acrylic sheet aristech acrylic
- Frame stainless steel 316#
- Water volume -650 l
- Seating capacity -4 seats
- Pillows -4 pcs

**Hydro massage jets**

- Water jets -36 pcs
- Air jets -14 pcs
- Valve for waterfall

**Pumps, heater and filtration system**

- Heater 3 kw
- Sand filtration system
- Hydro massage pump 3 hp
- Circulation pump 1 hp
- Ozoniser -2
- Air blower pump
- Balboa system

**Additional details**

- Waterfall
- Cfc foam
- Spa cover
- Underwater led light
- Small led lights -20 pcs

# Barcelona



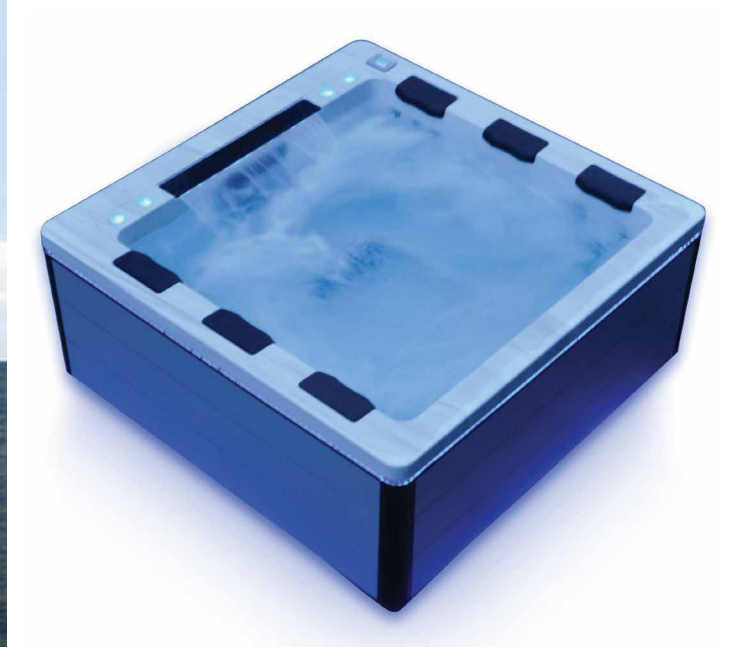
# Triumph V1 / V2



V1



V2



**Size:** 2200l x 2200w x 960h mm

**Bathtub shell**

- Acrylic sheet aristech acrylic
- Frame stainless steel 316 #
- Skirt unique resistant material
- Water volume -1400 l
- Seating capacity -6 seats
- Pillows -6 pcs

**Hydro massage jets**

- Water jets -52 Pcs

**Pumps, heater and filtration system**

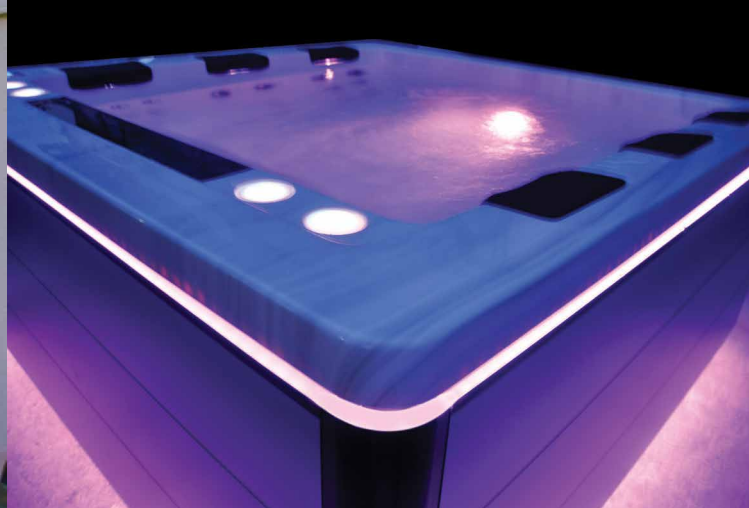
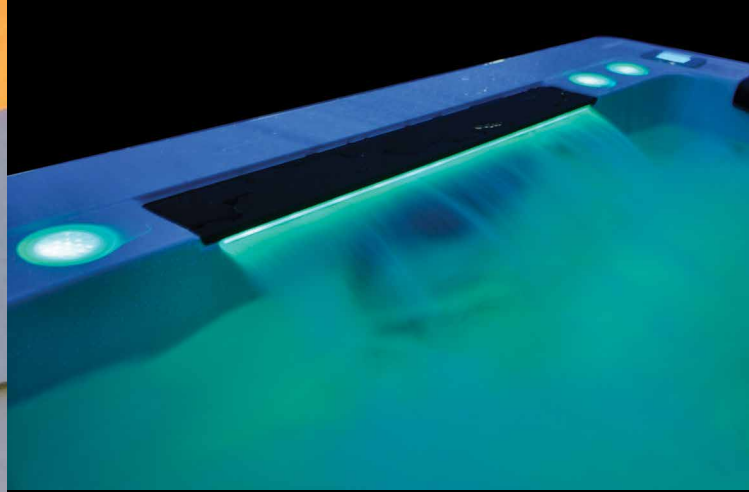
- Heater 3 kw
- Filtration system
- Hydro massage pump 2 hp & 3 hp
- Circulation pump 1 hp
- Ozone
- Balboa system

**Additional details**

- Waterfall
- CFC foam
- Spa cover
- Underwater LED light
- Small led lights -22 pcs
- Cup holder with LED -4 pcs

# Glow





**Size:** 2200l x 2500w x 960h mm

**Bathtub shell**

- Acrylic sheet aristech acrylic
- Frame stainless steel 316#
- Skirt unique resistant material
- Water volume -1680 l
- Seating capacity -8 seats
- Pillows -8 pcs

**Hydro massage jets**

- Water jets -66 pcs
- Air jets

**Pumps, heater and filtration system**

- Heater 3 kw
- Filtration system
- Hydro massage pump 2 hp x 3 pcs
- Circulation pump 1 hp
- Ozone
- Air blower pump
- Balboa system

**Additional details**

- Waterfall
- CFC foam
- Spa cover
- Underwater LED light
- Small led lights -24 pcs
- Cup holder with LED -4 pcs



**Size:** 2400l X 2400w X 950h mm

**Bathtub shell**

- Acrylic sheet white
- Frame stainless steel 316#
- Skirt unique resistant material
- Electronic control system
- Water volume -1550 l
- Seating capacity -7 seats
- Jets stainless steel

**Hydro massage jets**

- Water jets -63 pcs
- Air jets -16 pcs
- Ozone
- Massage pump 3 hp & 2 hp x 2 pcs
- Circulation pump -0.35 hp
- Air blower 0.4 kw

**Pumps, heater and filtration system**

- Heater 3 kw
- Pillows -4 pcs
- Underwater LED light
- Small LED lights -12 pcs
- General spa shell foam
- Spa cover

# Relay



# Grande





**Size:** 2400l x 2200w x 950h mm

**Bathtub shell**

- Acrylic sheet white
- Frame stainless steel 316#
- Skirt unique resistant material
- Water volume -1550 l
- Seating capacity -4 Seats with 2 lounge

**Hydro massage jets**

- Water jets -75 pcs
- Air jets -14 pcs

**Pumps, heater and filtration system**

- Heater 3 kw
- Filtration system
- Hydro massage pump 3 hp & 2 hp
- Circulation pump 0.35 hp x 2 pcs
- Air blower pump 0.4 hp
- Balboa system
- Suction -3 pcs
- Ozonizer -2 pcs

**Additional details**

- SPA cover
- Underwater LED light -2 PCS
- Small LED lights -12 PCS



# Envoy

**Size:** 3800l x 2400w x 950h mm

**Bathtub shell**

- Acrylic sheet white
- Frame stainless steel 316#
- Skirt unique resistant material
- Water volume -4300 l
- Seating Capacity 13-14 Seats

**Hydro massage jets**

- Water jets -93 pcs
- Air jet -26 pcs

**Pumps, heater and filtration system**

- Heater 3 kw
- Filtration system
- Hydro Massage Pump 3 hp & 2 hp
- Circulation Pump 0.35 hp x 2

- Air blower Pump 0.7 hp
- Balboa System
- Suction -4 pcs
- Ozone -2 pcs

**Additional details**

- CFC Foam
- Spa Cover
- Underwater LED light -2 pcs
- Small LED lights -16 pcs





# Emotion

Size: 1928l x 740d x 840h mm

## Bathtub shell

- Sanitary ware grade acrylic with fiberglass reinforcement
- Sanitary ware grade acrylic with fiberglass reinforcement
- Pre leveled tub bottom
- Framed leg construction Framed leg construction
- Slip resistant textured bottom
- Lying concept allows up to 1 lounge position with
- 4 comfortable soft cushions for the neck.

## Pumps, heater and filtration system

- Water pump 2.5 hp x 1
- Circulation pump 0.5 hp x 1 Pc
- Blower pump
- Filtration system
- Heater 3 kw -1 Pc

## Hydro massage Jets

- 4 5" -2 pcs
- 3.5" -2 pcs
- 2.5" -2 pcs
- 2" -18 pcs
- 1.5" Air jets -12 pcs

## Additional Details

- Chromotherapy light -24 pcs
- 1.5" Aroma therapy
- Digital control panel with bluetooth
- Headrest -4 pcs ,
- Ozonizer
- Radio
- Spe



# Bliss



**Size:** 1910l x 1370w x 762d x 840h mm

**Installation** Freestanding/built in

**Bathtub shell**

- Lying concept allows up to 1 recline
- Position with 3 comfortable soft cushion for neck

- LED chromotherapy lights -22 pcs
- Corner panel in skirting with 8 LED
- Ozoniser
- Radio/Blue tooth Speaker
- Four side skirting

**Hydro massage jets**

- 4.5" Rotary jet -1 pc
- 3.5" Rotary jet -1 pc
- 2.0" Sprayed jet -22 pcs

**Pumps, heater and filtration system**

- Circulation pump 0.5 hp -1 pc
- Spa pump 2.5 hp -1 pc
- Online heater 3 kw
- Nano Filtration System

**Additional Features**



# Tiago



**Size:** 1920l x 1535w x 762d x 864h mm

**Installation** Freestanding/built in

#### **Bathtub shell**

- Lying concept allows up to 1 recline
- Position with 3 comfortable soft cushion for neck

#### **Hydro massage jets**

- 4.5" jets -1 pcs
- 3.5" jets -3 pcs
- 2.5" jets -5 pcs
- 2" jets -20 pcs
- 1.5" Jets -14 pcs
- Neck Blaster Jets - 2 pcs

#### **Pumps, heater and filtration system**

- Blower pump 1 hp -1 pc
- Circulation pump 0.5 hp -1 pc
- Spa pump 2.5 hp -1 pc
- Online heater 3 kw
- Nano Filtration System

#### **Additional features**

- LED Chromotherapy lights -32 pcs
- Corner panel in skirting with 8 LED
- Cascade Fall with Light -2 pcs
- Aroma Therapy
- Wine Cooler with 2 glass holder
- Ozoniser
- Radio / Blue tooth Speaker
- Four side skirting



# Sentorini



**Size:** 2500l x 2200w x 970h mm

**Installation** Freestanding/built in

**Seating:** 5+1 (lounger)

#### **Bathtub shell**

- Sanitary ware grade acrylic with fiberglass reinforcement
- Pre leveled tub bottom
- Framed leg construction
- Slip resistant textured bottom
- Lying concept allows up to 1 recline position with 5 comfortable soft cushion for neck.

#### **Product highlights:**

- Water Pump 2 hp x 2 pcs
- Circulation pump 1.5 hp
- Air pump 1 hp
- Heater (3 KW)
- Ozonizer
- SPA light

- Digital Control panel,
- Cartridge filtration system
- Pillows: 3pcs
- Radio
- Skirting 4 side

#### **Total jets: 126 pcs**

- 1.5" Uni Directional Jets 95 pcs
- 4" Turbo jets 12 pcs
- Blower Jets 19 pcs



# Galaxy



**Size:** 2300 l X 2300 w X 960 h mm

**Installation:** Freestanding/built in

**Seating:** 4+2 (lounger)

#### Bathtub shell

- Sanitary ware grade acrylic with fiberglass reinforcement
- Pre leveled tub bottom
- Framed leg construction
- Slip resistant textured bottom
- Lying concept allows up to 2 recline position with 4 comfortable soft cushion for neck.

#### Product highlights:

- Water Pump 2 hp x 2 pcs
- Circulation pump 1.5 hp
- Air pump 1 hp
- Heater 3 kw
- Ozonizer
- SPA light

- Digital Control panel,
- Cartridge filtration system
- Pillows: 4 pcs
- Radio
- Skirting 4 side

#### Total jets: 85 pcs

- 1.5" Uni Directional Jets 55 pcs
- 4" Turbo jets 10 pcs
- Blower Jets 20 pcs



# Modena



**Size:** 3800 l x 2250 w x 900 h mm

**Installation:** Freestanding/built in

**Seating:** 6+2 (lounger)

#### Bathtub shell

- Sanitary ware grade acrylic with fiberglass reinforcement
- Pre leveled tub bottom
- Framed leg construction
- Slip resistant textured bottom
- Lying concept allows up to 2 recline position with 6 comfortable soft cushion for neck.

#### Product highlights:

- Water Pump 3 hp x 3 pcs
- Circulation pump
- Air pump
- Heater 3 kw
- Ozonizer
- SPA light
- Digital Control panel
- Cartridge filtration system
- Pillows -4 pcs
- Radio
- Skirting 4 side

#### Total jets -100 pcs

- 5" Directional jets -6 pcs
- 2" Rotational jets -27 pcs
- 1" Directional jets -61 pcs
- Ozone jets
- Air Jets -5 pcs



# Classic



**Size:** 2400l X 2400w X 930h mm

**Installation** Freestanding / built in

**Seating:** 3+2 (lounger)

## Bathtub shell

- Sanitary ware grade acrylic with fiberglass reinforcement
- Pre leveled tub bottom
- Framed leg construction
- Slip resistant textured bottom
- Lying concept allows up to 2 recline position with 3 comfortable soft cushion for neck.

## Product highlights:

- Water pump 2 hp x 2 pcs
- Circulation pump 1.5 hp
- Air pump 1 hp
- Heater 3 kw
- Ozonizer
- Spa light
- Digital control panel,
- Cartridge filtration system
- Pillows -4 pcs
- Radio
- Skirting 4 side

## Total jets -157 pcs

- 1.5" Uni directional jets -109 pcs
- 4" Turbo jets -4 pcs
- Blower Jets -44 pcs



# Swim Paradise





# Swim Paradise





## Swim Paradise



**Size:** 5860l x 2200w x 1100h / 1300h mm

### Capacity

- Voltage/frequency -220v / 240v / 50-60hz
- Seat for sitting -3 persons
- Seat for lying -3 person
- Pillow -4 pcs

### Material

- Material aristech acrylic
- Supprot frame #304 ss
- Overflow outlet
- Skirt unique resistant material

### Pump, jets and heater

- Total jets -175 pcs
- 1.5" Small jets -121 Pcs
- 4" Hydro jets -28 pcs
- 5" Hydro jets -3 pcs
- Steel air jets -21 pcs
- 3 hp pump -1 pc
- 2 hp pump -2 pcs
- 1.5 hp circulation pump -2 pcs
- Air blower 1 hp
- Heater 3 kw -2 pcs

### Filtration system

- Cartridge filtration systems
- Ozone jets -2 pcs
- Control system -2 sets
- Spa lights -3 pcs
- Water level lights -26 pcs



# Carmenta



**Size:** 4200l x 2200w x 1100/1300h mm

**Capacity**

- Seat for sitting -2 persons
- Seat for lying -1 person
- Pillow -3 pcs

**Product highlights**

- Spa pump -3hp
- Spa pump -2hp
- Circulation pump 1.5 hp -1 pc
- Air pump 1 hp - 1 pc
- Heater 3 kw
- Ozoniser
- Spa light LED

- Water level lights -12 pcs
- Filtration system
- Eletronic control panel
- Pillows -2 pcs
- Radio
- Skirting / hem
- Total jets -48 pcs



# Whirlpool Baths

WovēnGold



# WG 7000i



**Size:** 1900l x 985w x 480d x 700h mm  
(Outer)

**Installation** Corner, Centre of the wall  
Freestanding

#### **Bathtub shell**

- Sanitary ware grade acrylic with fiberglass reinforcement
- Pre leveled tub bottom
- Framed leg construction
- Slip resistant textured bottom
- Lying concept allows up to 1 person in reclineposition with 1 comfortable soft

cushion for neck

#### **Product highlights**

- Lighted Touch Screen Control Panel
- Invisible Hydro Therapy through slender channel and air blower system through invisible jets
- Pump -1 Hydro Massage Pump 2 hp, 1 Big Two Sided 1 hp Pump for Waterfall & 1 Air Blower Pump
- Two side cascade fall
- Two neck cascade falls
- Powerful LED Lights for chromotherapy from slender channel
- Automatic drainage system

- Option to toggle between hydromassage and air massage
- Option to toggle between neck fall and waterfall
- Choose color mode in chromotherapy light
- Play music through bluetooth

#### **Safety features**

- Water level sensor
- Dry run protection for whirlpool pump
- Lock mode feature in control panel



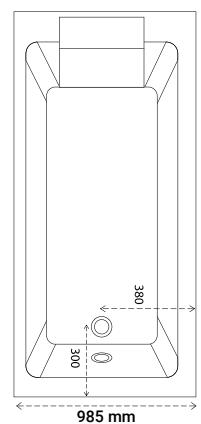
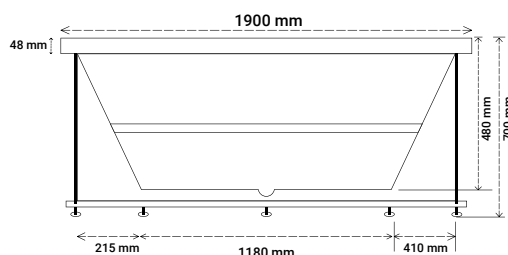
### Hygiene

- Water pump with self draining feature
- Residual water draining after using the bath
- Easily removable bathtub panels
- Ozone O3

### Optional features

- Online heater for water temperature stabilization
- Front skirt
- Side skirt

**NOTE:** To be ordered with the panel only



# WG 7100i



**Size:** 1905l x 1260w x 510d x 645h mm  
(Outer)

**Installation** Corner, centre of the wall  
freestanding

#### Bath tub shell

- Sanitary ware grade acrylic with fiberglass reinforcement
- Pre-leveled tub bottom
- Framed leg construction
- Slip resistant textured bottom
- Lying concept allows up to 2 person in recline position with
- 2 comfortable soft cushion for neck

#### Product highlights

- Lighted touch screen control panel
- Invisible hydro therapy through slender channel and air blower system through invisible jets
- Pump: 1 hydro massage pump 2 hp, 1 big two sided 1 hp pump for waterfall & 1 air blower pump
- Twin long waterfall
- Two neck cascade falls
- Powerful led lights for chromotherapy from slender channel.
- Automatic drainage system
- Option to toggle between hydromassage

and air massage option to toggle between neck fall and waterfall

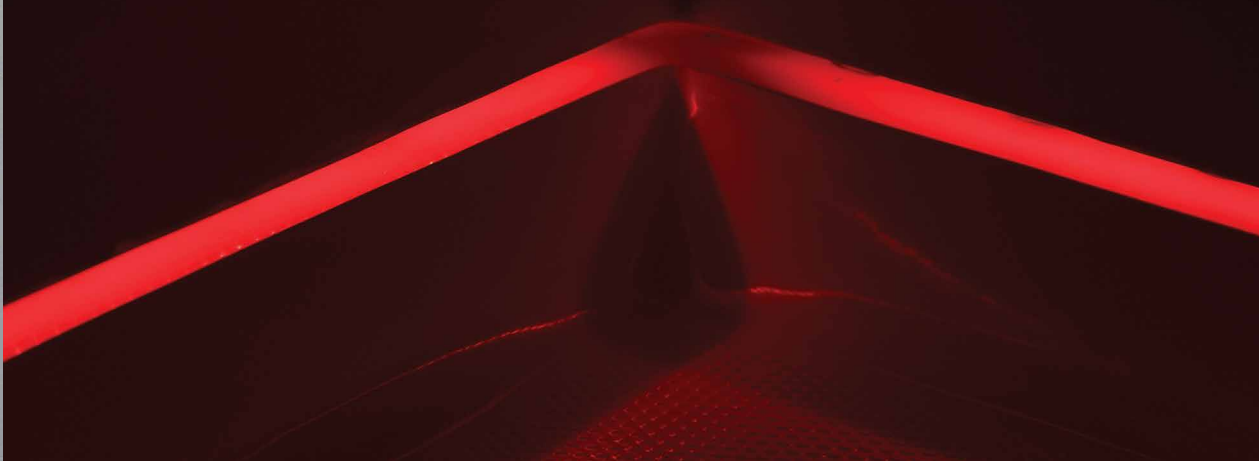
- Choose color mode in chromotherapy light
- Play music through bluetooth

#### Safety features

- Water level sensor
- Dry run protection for whirlpool pump
- Lock mode feature in control panel

#### Hygiene

- Water pump with self draining feature
- Residual water draining after using the bath

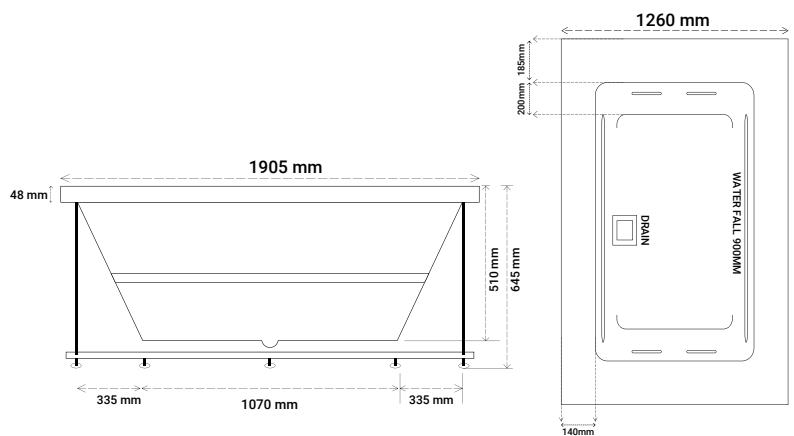


- Easily removable bathtub panels
- Ozone O3

**Optional features**

- Online heater for water temperature
- Stabilization
- Front skirt
- Side skirt

**NOTE:** To be ordered with the panel only



# WG 7200c



**Size:** 1600l x 1600w x 480d x 625h mm  
(Outer)

**Installation** Corner

#### Bathtub shell

- Sanitary ware grade acrylic with fiberglass reinforcement
- Pre-leveled tub bottom
- Framed leg construction
- Slip resistant textured bottom
- Lying concept allows up to 2 recline position with 2 comfortable soft cushion for neck.

#### Product highlights

- Touch Control Panel
- Invisible Hydro Therapy through slender channel and air blower system through invisible jets
- Pump -1 Hydro Massage Pump 2 hp, 1 hp Pump for 360° water fall
- 1 Air Blower Pump
- Powerful LED Lights for chromotherapy from slender channel
- Automatic drainage system
- Option to toggle between hydromassage and air massage
- Option to toggle between neck fall and

waterfall

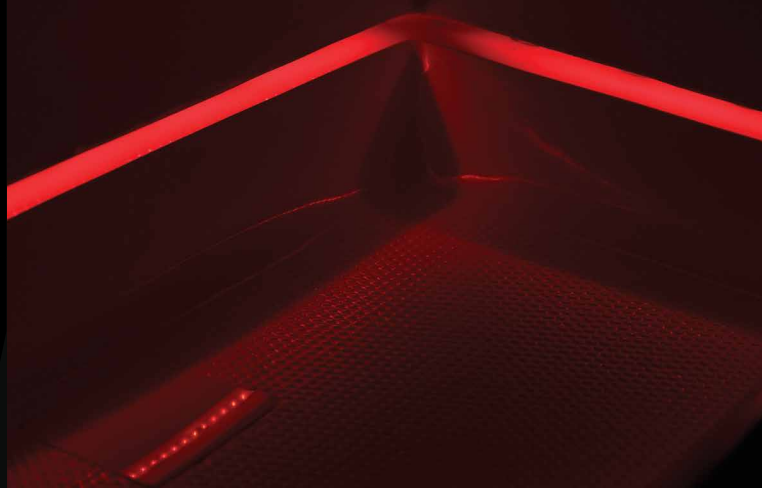
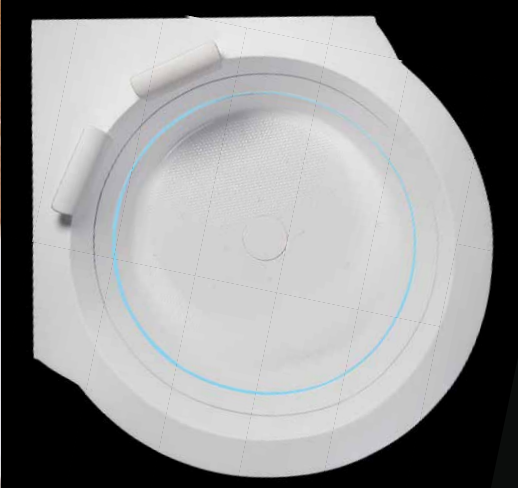
- Choose color mode in chromotherapy light
- Play music through bluetooth

#### Safety features

- Water level sensor
- Dry run protection for whirlpool pump
- Lock mode feature in control panel

#### Hygiene

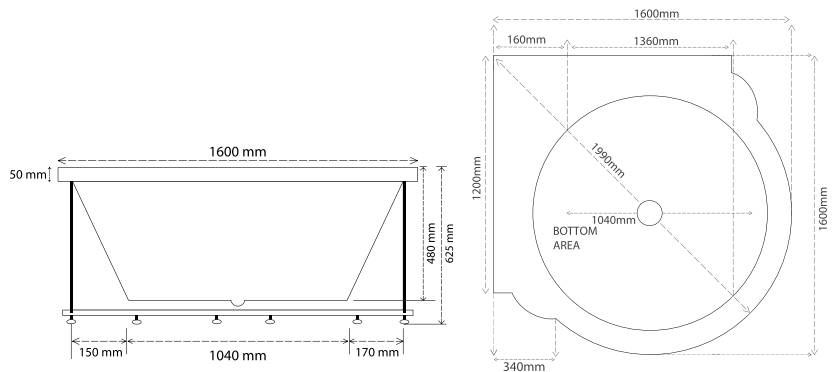
- Water pump with self draining feature
- Residual water draining after using the bath
- Easily removable bathtub panels
- Ozone O3



**Optional features**

- Online heater for water temperature stabilization
- Front skirt

**NOTE:** To be ordered with the panel only



# Mirage Solo



**Size:** 1895l x 1040w x 476d x 615h mm  
(Outer)

**Installation** Corner, centre of the wall  
freestanding

## Bathtub shell

- Sanitary ware grade acrylic with fiberglass reinforcement
- Pre leveled tub bottom
- Framed leg construction
- Slip resistant textured bottom
- Lying concept allows up to 1 recline position with comfort neck soft cushion

## Product highlights

- Perimeter Overflow grill
- Lighted Touch Screen Control Panel with Remote
- 10 hydrotherapy jets, 9 spinal and foot therapy jets, 12 air therapy jets with chromotherapy
- 2 Neck cascade massage
- Elegant Hot & cold mixer with hand Shower & Water filler
- Pump: 2 hp hydromassage pump x2 Air blower x1 hp pump for waterfall
- Radio & Bluetooth
- 28 colorful LED lights under the rim for rich

ambiance

- Water fountain x4
- Overflow with pop up waste
- 4 Pop-up half circular fountains

## Safety features

- Water level sensor
- Dry run protection for whirlpool pump
- Lock mode feature in control panel

## Hygiene

- Water pump with self draining feature
- Residual water draining after using the bath

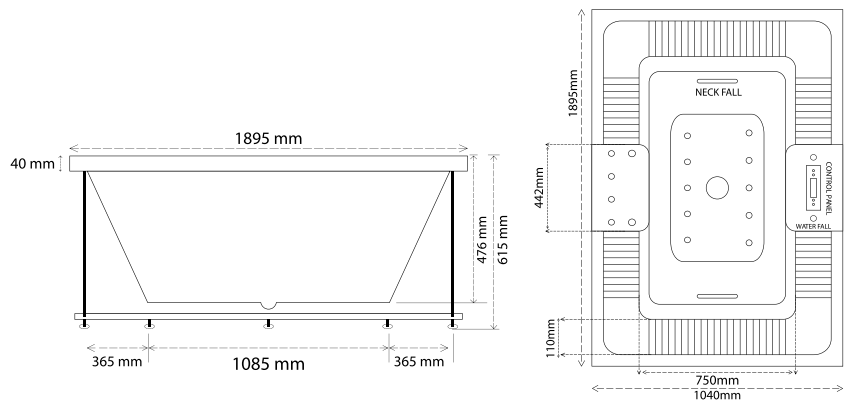


- Easily removable bathtub panels
- Ozone O3

**Optional features**

- Online heater for water temperature stabilization
- Front skirt
- Side skirt

**NOTE:** To be ordered with the panel only



# Mirage Twin



**Size:** 1900l x 1515w x 495d x 615h mm (Outer)

**Installation** Corner, centre of the wall  
freestanding

## Bathtub shell

- Sanitary ware grade acrylic with fiberglass reinforcement
- Pre leveled tub bottom
- Framed leg construction
- Slip resistant textured bottom
- Lying concept allows up to 2 recline position with comfort neck soft cushion

## Product highlights

- Overflow grill
- Lighted Touch Screen Control Panel with Remote
- Removable Designer pillow
- 12 hydrotherapy jets, 18 spinal and foot therapy jets, 16 air therapy jets with chromo therapy
- Two Neck cascade massage
- Designer Hot & cold mixer with diverter, hand Shower & Water filler
- Pump: 2 hp hydromassage pump x2, 1 hp for waterfall and neck cascade fall, Air blower x1

- Two big waterfalls
- Radio & Bluetooth
- 28 colorful LED lights under the rim for rich ambiance
- 4 Pop-up half circular fountains
- Water Fountain x4

## Safety features

- Water level sensor
- Dry run protection for whirlpool pump
- Lock mode feature in control panel

## Hygiene

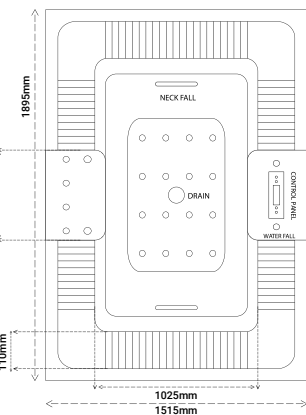
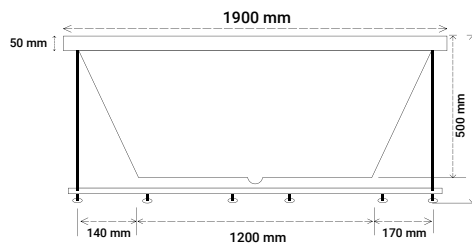


- Water pump with self draining feature
- Residual water draining after using the bath
- Easily removable bathtub panels
- Ozone O3

**Optional features**

- Online heater for water temperature stabilization
- Front skirt
- Side skirt

**NOTE:** To be ordered with the panel only





# Calypso

**Size:** 1905 Dia x 495d x 630h mm (Outer)

**Installation** Built in

### Bathtub shell

- Sanitary ware grade acrylic with fiberglass reinforcement
- Pre leveled tub bottom
- Framed leg construction
- Slip resistant textured bottom
- Lying concept allows up to 2 person in recline position with 2 comfortable soft cushion for neck

### Product highlights

- Lighted Touch Screen Control Panel with Remote
- Designer hot & cold mixer with diverter, Hand Shower & Water Filler
- 8 Big Hydro Therapy Jets, 19 Spinal Therapy Jets, with 16 Air Therapy Jets with Chroma Therapy
- Pop Up Waste for Water Drainage.
- Pump: 2 Hydro Massage Pump 2 hp
- 1 hp Pump for Neck Fall & Fountains
- 1 Blower Pump
- 28 chromotherapy LED Lights under the Rim

for Rich Ambiance

- Overflow grill
- Two neck cascade falls
- Radio & Bluetooth
- Water Fountain x4

### Safety features

- Water level sensor
- Dry run protection for whirlpool pump
- Lock mode feature in control panel

### Hygiene

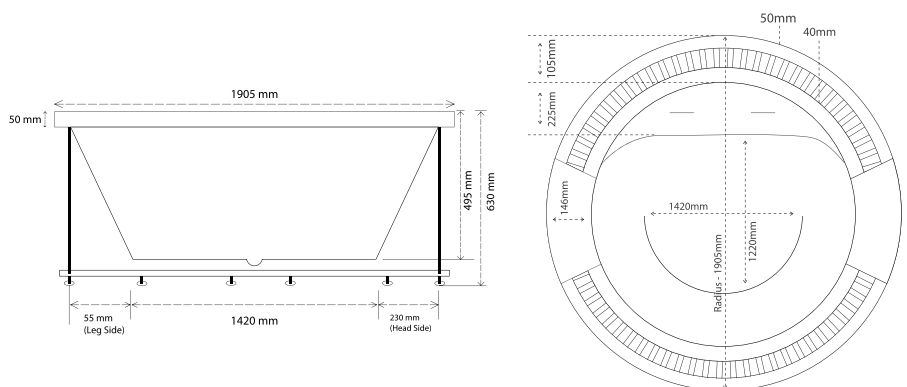
- Water pump with self draining feature



- Residual water draining after using the bath
- Ozone O3

#### Optional features

- Online heater for water temperature stabilization





**Size:** 1905l x 905w x 580d x 670h mm (Outer)

**Installation** Corner, centre of the wall freestanding

**Bathtub shell**

- Sanitary ware grade acrylic with fiberglass reinforcement
- Pre leveled tub bottom
- Framed leg construction
- Slip resistant textured bottom
- Lying concept allows up to 1 recline position with 1 comfortable soft cushion for neck.

**Product Highlights**

- Lighted Touch Screen Control Panel with Remote
- Cubix Hot & Cold Mixer with diverter and hand Shower
- 8 Big Hydro Therapy Jets, 8 Spinal and Foot Therapy Jets, with 8 Air Therapy Jets with Chroma Therapy.
- Pump: 2 hp Hydro Massage Pump, 1 hp hydromassage pump x1 for waterfall and neck cascade fall, Air Blower Pump x1
- Radio & Bluetooth
- Twin sitting positions for complete relaxation
- Neck cascade fall

- Twin waterfall
- Cushion for sitting
- Overflow with pop up waste

**Safety features**

- Water level sensor
- Dry run protection for whirlpool pump
- Lock mode feature in control panel

**Hygiene**

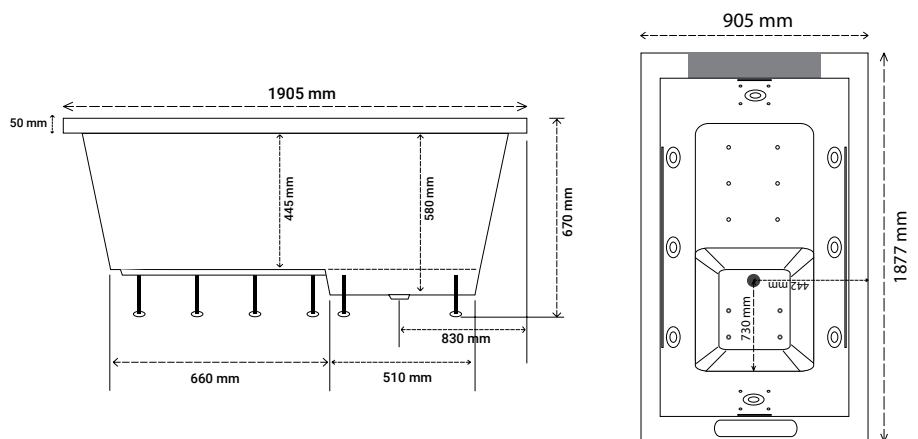
- Water pump with self draining feature
- Residual water draining after using the bath
- Easily removable bathtub panels
- Ozone O3

# Tunisia Solo



## Optional features

- Online heater for water temperature stabilization
- Front skirt & side skirt
- TV & Pop up speakers



# Tunisia Twin



**Size:** 1887l x 1310w x 580d x 670h mm (Outer)

**Installation** Corner, centre of the wall  
freestanding

## Bathtub shell

- Sanitary ware grade acrylic with fiberglass reinforcement
- Pre leveled tub bottom
- Framed leg construction
- Slip resistant textured bottom
- Lying concept allows up to 2 recline position with two removable comfort neck soft cushion

## Product highlights

- Lighted Touch Screen Control Panel with Remote
- 10 hydrotherapy jets, 16 spinal and foot therapy jets, 16 air therapy jets with chromo therapy
- Two Neck cascade massage
- Elegant Hot & cold mixer with diverter and hand Shower
- Pump: 1 hp x2 hydromassage pump, 1 hp x1 for waterfall and neck cascade, Air blower x1
- Radio & Bluetooth
- Twin sitting positions for complete relaxation
- Neck cascade fall

- Twin waterfall
- Cushion for sitting
- Overflow with pop up waste

## Safety features

- Water level sensor
- Dry run protection for whirlpool pump
- Lock mode feature in control panel

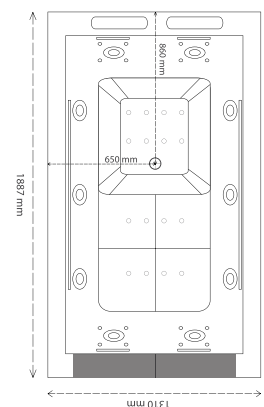
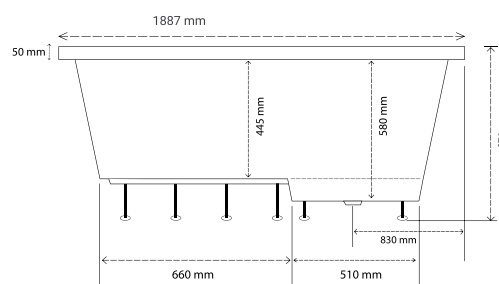
## Hygiene

- Water pump with self draining feature
- Residual water draining after using the bath
- Easily removable bathtub panels
- Ozone O3



**Optional features**

- Online heater for water temperature stabilization
- Front skirt & Side skirt
- TV & Pop up speakers





# Tunisia Lounge

**Size:** 1905l x 1840w x 580d x 670h mm (Outer)

**Installation** Corner, centre of the wall  
freestanding

#### Bathtub shell

- Sanitary ware grade acrylic with fiberglass reinforcement
- Pre leveled tub bottom
- Framed leg construction
- Slip resistant textured bottom
- Lying concept allows up to 2 recline position with two removable comfort neck soft cushion

#### Product Highlights

- Lighted Touch Screen Control Panel with Remote
- 10 hydrotherapy jets, 22 spinal and foot therapy jets, 24 air therapy jets with chromo therapy
- Two Neck cascade massage
- Elegant Hot & cold mixer with diverter and hand Shower
- Pump: 2 hp x2 hydromassage pump ,1 hp x1 for waterfall and neck cascade, Air blower x1
- Radio & Bluetooth
- Twin sitting positions for complete relaxation
- Neck cascade fall

- Twin waterfall
- Cushion for sitting
- Overflow with pop up waste

#### Safety features

- Water level sensor
- Dry run protection for whirlpool pump
- Lock mode feature in control panel

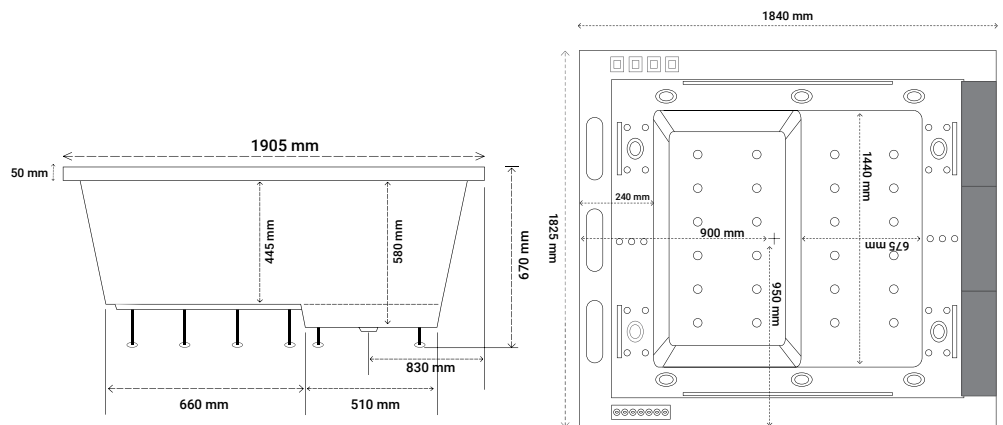
#### Hygiene

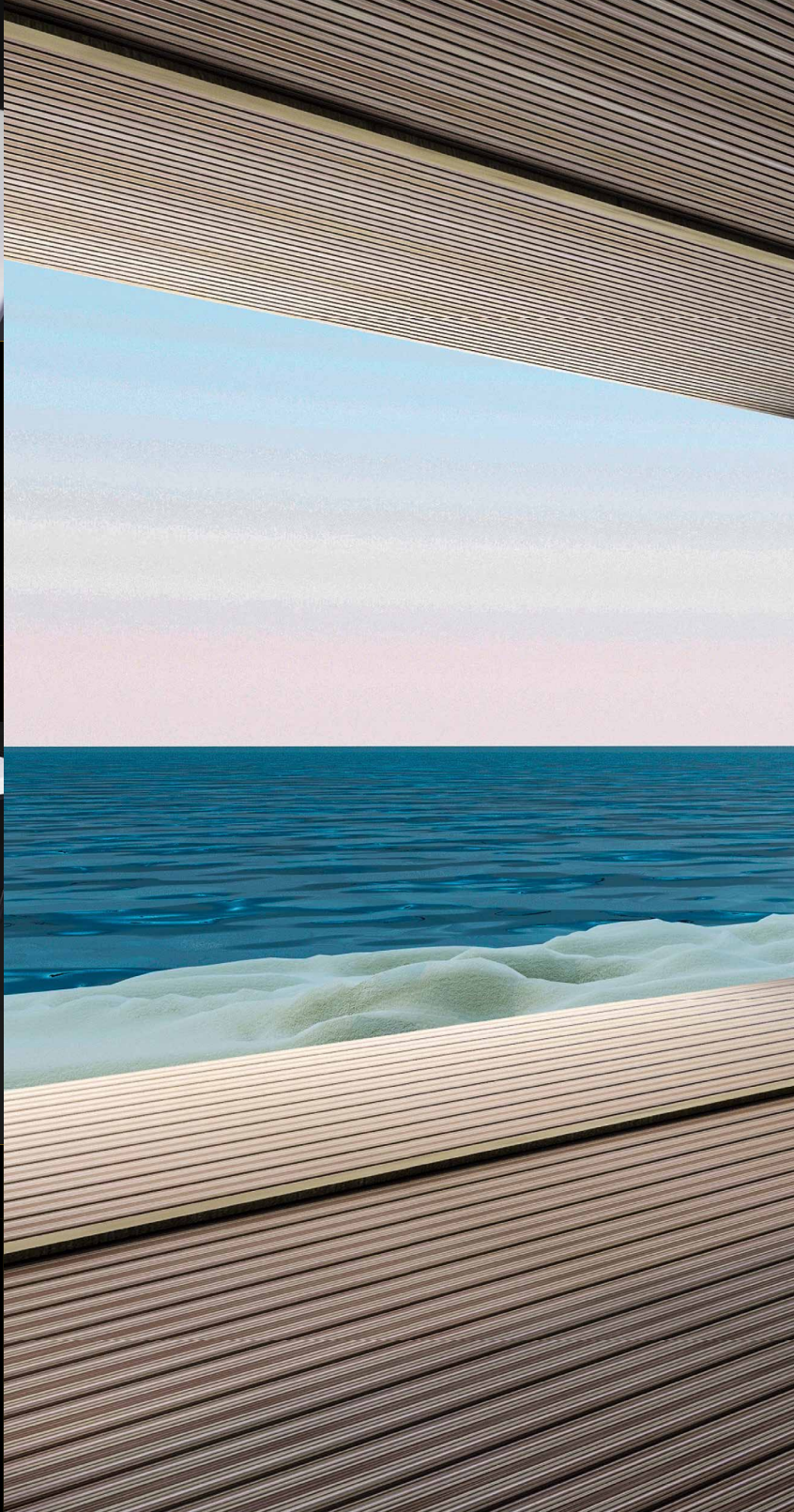
- Water pump with self draining feature
- Residual water draining after using the bath
- Easily removable bathtub panels
- Ozone O3



**Optional features**

- Online heater for water temperature stabilization
- Front skirt & Side skirt
- TV & Pop up speakers





**Size:** 1650l x 950w x 600h mm (Outer)

**Installation** Corner, Centre of the wall

**Bathtub shell**

- Pre-leveled tub bottom
- Framed leg construction
- Slip resistant textured bottom
- Lying concept allows up to 1 recline position with comfortable soft cushion for neck rest
- Sanitary ware grade acrylic with fiberglass reinforcement

**Product highlights**

- Lighted Touch Screen Control Panel with Remote
- 7pcs hydrotherapy jets, 4 pcs spinal jets, 4 Foot Massage Jets
- 8 air therapy jets with chromo therapy
- Two Neck cascade massage
- Designer Hot & cold mixer with hand Shower & diverter Water filler
- Pump: 1hp hydro-massage pump, Air blower x1
- Wooden cabinet on three sides with shelves and cupboard in wengue finish
- Radio & Bluetooth

- Overflow with pop up waste

**Safety features**

- Water level sensor
- Dry run protection for whirlpool pump
- Lock mode feature in control panel

**Hygiene**

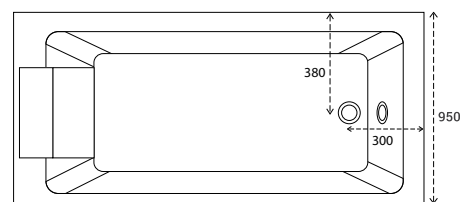
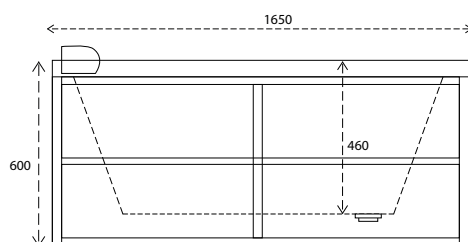
- Water pump with self draining feature
- Residual water draining after using the bath
- Easily removable bathtub panels
- Ozone O3

# Miona

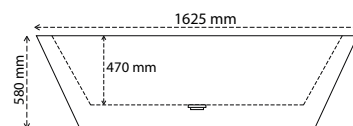
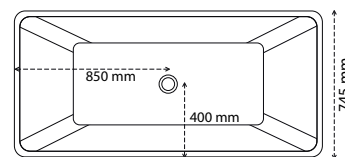


## Optional features

- Online heater for water temperature stabilization



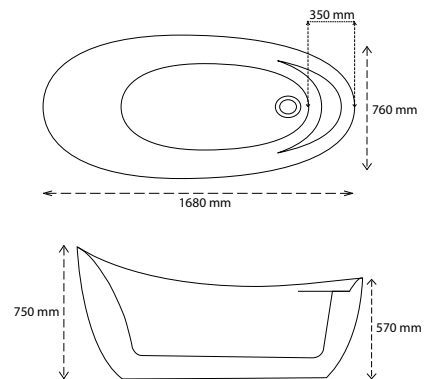
# Avon W / B



**Size:** 1625L X 745W X 470D X 580H (MM)

**Installation** free standing

# Graphite



**Technical Specification:** 1680L x 760W x 720H Head Side, 570H Foot Side (MM)

**Installation** free standing



## Carol

Size: 1630L X 690W X 785H Head Side, 600H Foot Side (MM)



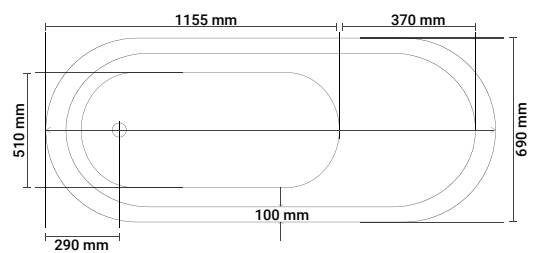
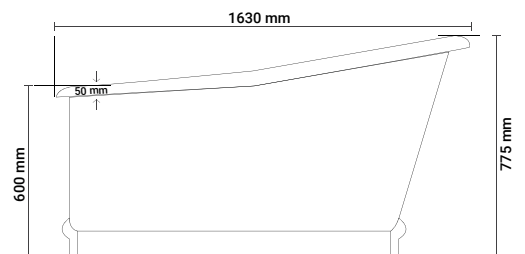
Gold



Silver



Bronze



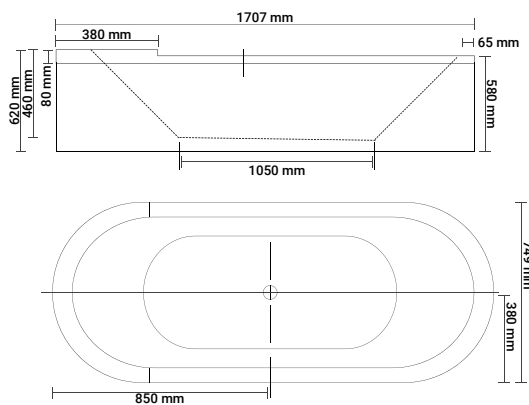


## Stark

Size: 1707L X 749W X 460D X 620H Head Side, 580H Foot Side (MM)

### Optional:

- 1 Hp & 2Hp whirlpool system
- Air blower system
- Online heater /light
- Manual system & electronic system.
- Underwater Light
- Hot & cold mixture
- Panel Optional



# Fortune

Size: 1830L X 920W X 510D X 620H (MM)

## Features:

- Hot & cold mixer with diverter
- Hand shower
- Diverter for hand shower and water filler
- Water drain with popup & overflow
- Designer Pillow
- Electronic control panel with remote
- Bath tub filler

## Safety features:

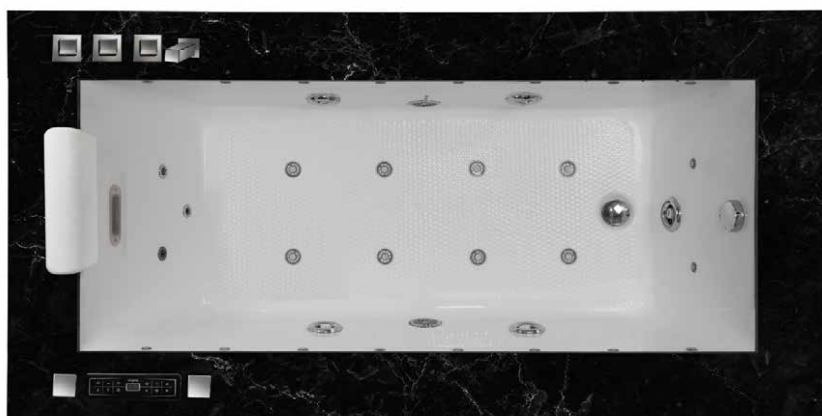
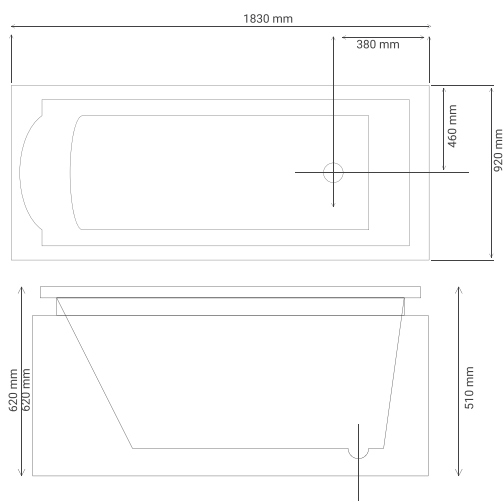
- Water level sensor
- Dry running protection
- Self locking protection

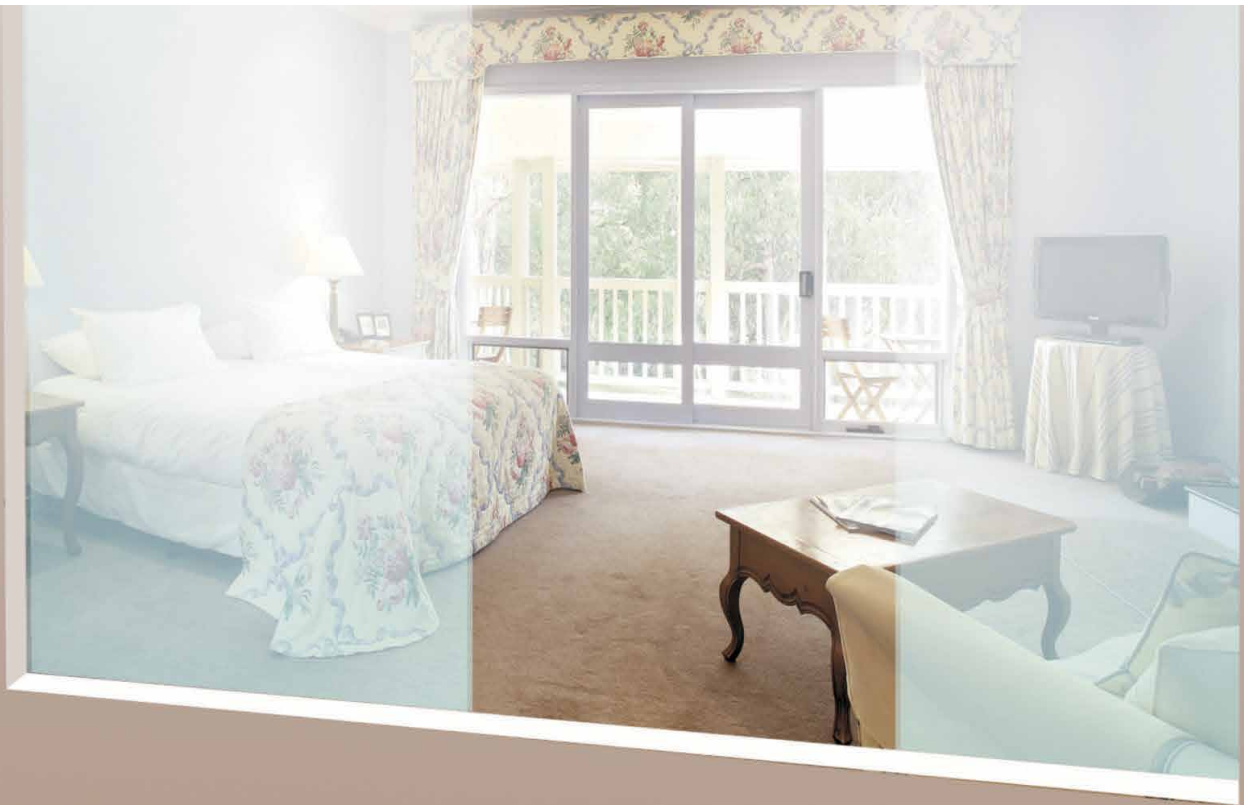
## Optional:

- Online heater
- T.V.
- Popup speaker
- Front panel
- Dry running protection
- Side panel

## Highlights:

- Neck waterfall 1 pc
- Full finish top
- Chroma light under the water fall 18 pcs
- Five big hydro massage jets
- 8 air therapy jets with chroma light
- Hydro massage pump 1 hp x2
- 3 spinal jets for back massage
- 1 hp pump for water fall & neck water fall
- Air blower pump for air massage
- Big waterfall two side under the marble top
- Radio & Bluetooth
- Speaker
- Ozonizer O3
- Setting Temperature for heater 25 to 45 °C





# Freedom

Size : 1700L X 1150 W X 492D X 630H (MM)

## Features:

- Hot & Cold Mixer with diverter
- Hand Shower
- Diverter For Hand Shower and Water Filler
- Designer Pillow
- Water Drain With Popup & overflow
- Touch Screen Control Panel with Remote
- Radio & Bluetooth
- Hydro Massage Pump 2 Hp
- Ozonizer O3
- Speaker
- Fifteen Chroma Lights
- Air blower pump for air massage
- 

## Safety features:

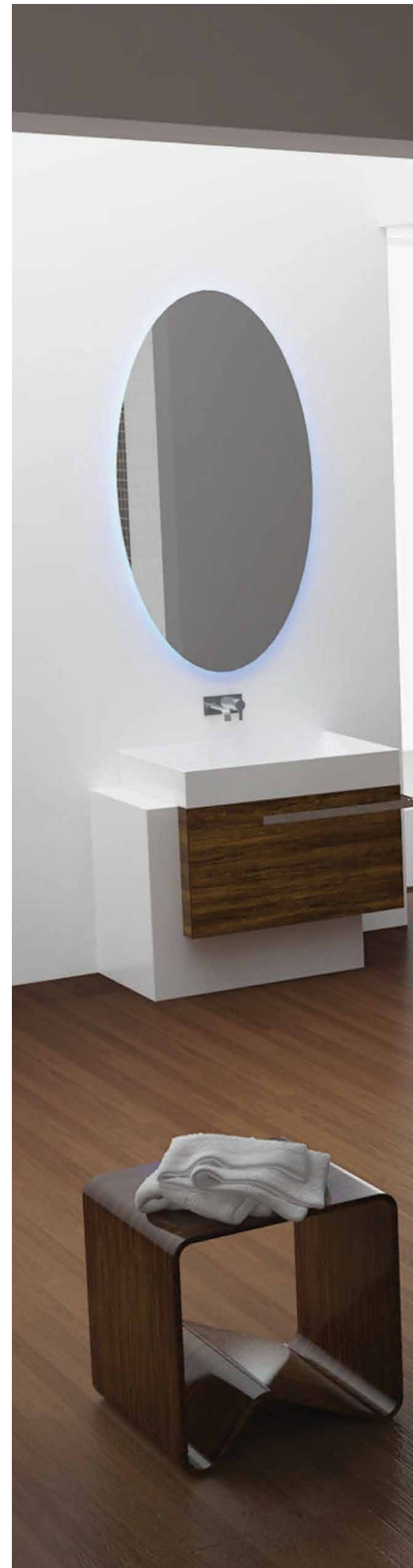
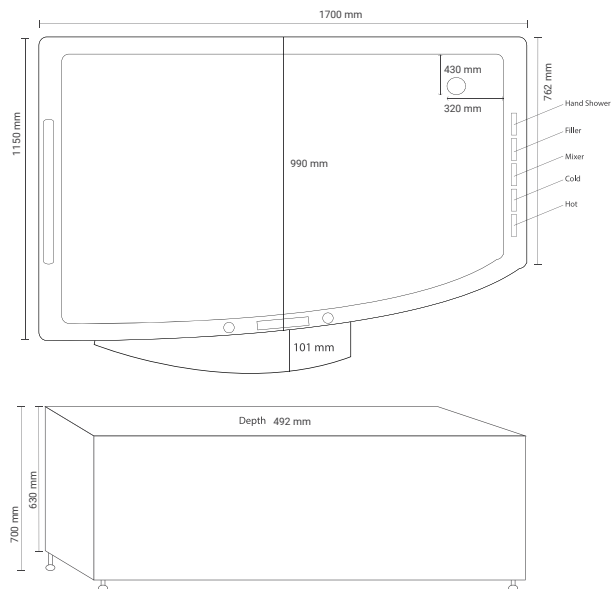
- Dry Running Protection
- Water Level Sensor
- Self Locking Protection

## Highlights:

- Eight Air Therapy Jets with Chroma Light
- Six Hydro Massage Jets
- Eight Spinal Jets

## Optional:

- Online Heater





# Lavender

**Size A:** 1830L X 988W X 465D X 575H (MM), **Size B:** 1670L X 952W X 465D X 575H (MM)

## Features:

- Hot & cold mixer with diverter
- Hand shower
- Diverter for hand shower & water filler
- Water drain with popup & overflow
- Designer pillow
- Touch screen control panel with remote

## Safety features:

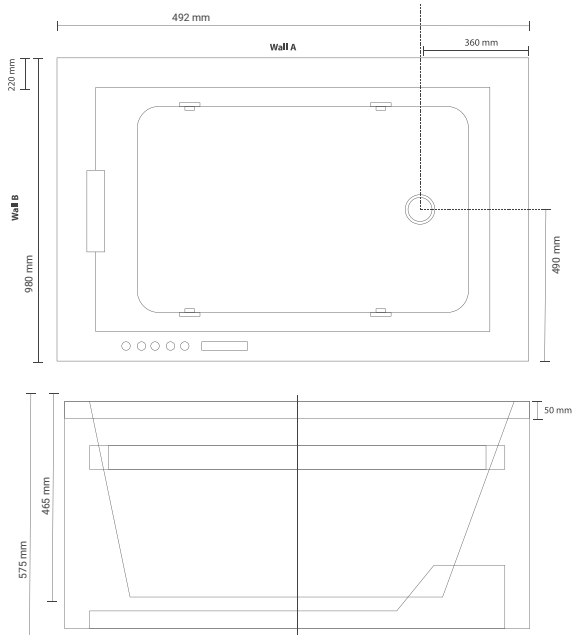
- Dry running protection
- Water level sensor
- Self locking protection

## Optional:

- Online heater
- Front panel
- Side panel

## Highlights:

- Neck waterfall 1 pc
- Marble table big water fall
- Led light under the waterfall
- 8 Air therapy jets with chroma light
- Five hydromassage jets
- Hydromassage pump 1hp x1
- Radio & Bluetooth
- 3 Spinal jets for back massage
- 1 Hp pump for water fall & neck water fall
- Setting temperature for heater 25°C to 45°C
- Ozonizer o3
- Speaker





# Sunstar

Size: 1830L X 910W X 465D X 595H (MM)

## Features:

- Touch screen control panel with remote
- Designer bath tub pillow
- Water filler
- Hot & cold mixer with two way diverter
- Hand shower
- Water drain with popup & overflow

## Safety features:

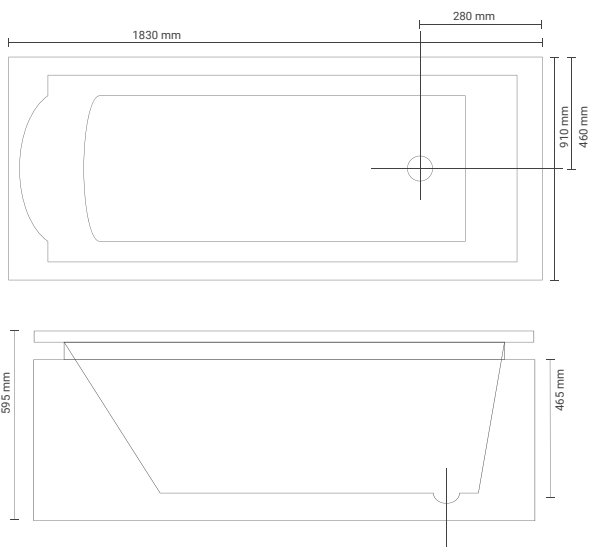
- Dry running protection
- Water level sensor
- Self locking protection

## Optional:

- Online heater
- Front panel
- Side panel

## Highlights:

- 2 hp hydro massage system
- 3 micro jets
- 7 Big hydro massage jets
- 8 air massage system
- Wooden finish rim artificial
- Ozonizer o3
- Setting temperature for heater 25°C to 45 °C
- Chromo therapy under water light
- Radio & Bluetooth
- Speaker









## Flora

Size: 1840L X 1230W X 445D (MM)

### Features:

- Big hydro massage jets 8
- Micro jets 8
- Air jets 16
- Large waterfall x1
- Neck cascade fall x2
- Led lights under waterfall
- Touch screen control panel
- Pumps 2hp x 1, 1 hp x1
- Air blower 800 watts
- Hot and cold mixer with diverter and hand shower

- Bluetooth
- Speakers
- Pop up waste with overflow
- Transparent front panel

### Safety Features

- Dry Running protection
- Water level sensor

## Fusion

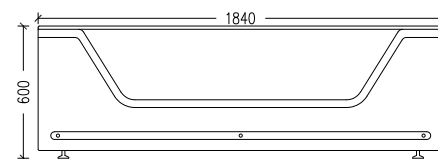
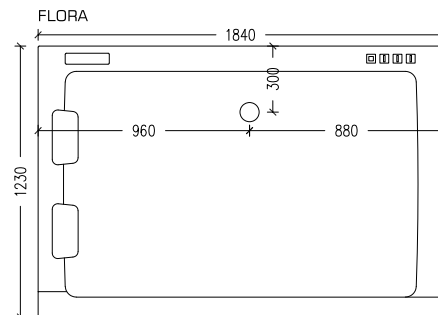
Size: 1840 X 910 (MM)

### Features:

- Air Therapy System
- Touch Screen Control Panel
- Chroma therapy Light
- Hot & Cold Mixer with
- Hand shower and Filler with Front Panel
- Water Fall

### Safety Features

- Dry Running protection
- Water level sensor



# Love

**Size:** 1860L X 1157W X 538D X 658H (MM)

**Features:**

- Hot & cold mixer with diverter
- Hand shower
- Diverter for hand shower and water filler
- Water drain with popup & over flow
- Designer pillow
- Electronic control panel with remote
- Bath tub filler
- Self locking protection

**Safety features:**

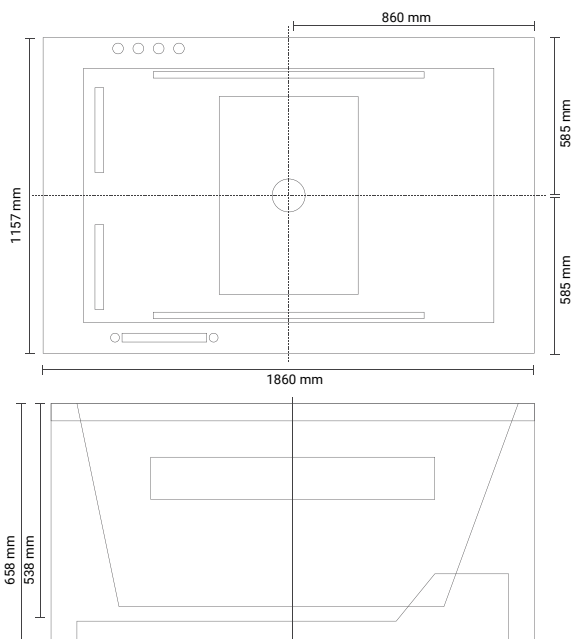
- Water lever sensor
- Dry running protection

**Optional:**

- Online heater
- T.V.
- Pop-up speaker
- Front panel
- Side panel

**Highlights :**

- Neck waterfall 2 pcs
- Full marble finish top
- Chroma light under the waterfall 26 pcs
- 6 Pcs big hydro massage jets
- 16 Air therapy jets with chroma light
- Hydro massage pump 2hp
- 10 Spinal jets for back massage
- 1 Hp pump for water fall & neck water fall
- Air blower pump for air massage
- Big waterfall two side under the marble top
- Setting temperature for heater 25°C to 45°C
- Radio & Bluetooth
- Speaker
- Ozonizer o3





# Endeavour

Size: 1830L X 1215W X 520D X 630H (MM)

## Features:

- Touch screen control panel with remote
- Designer bath tub pillow
- Water filler
- Hot & cold mixer with two way diverter
- Hand shower
- Popup with overflow drain

## Safety features:

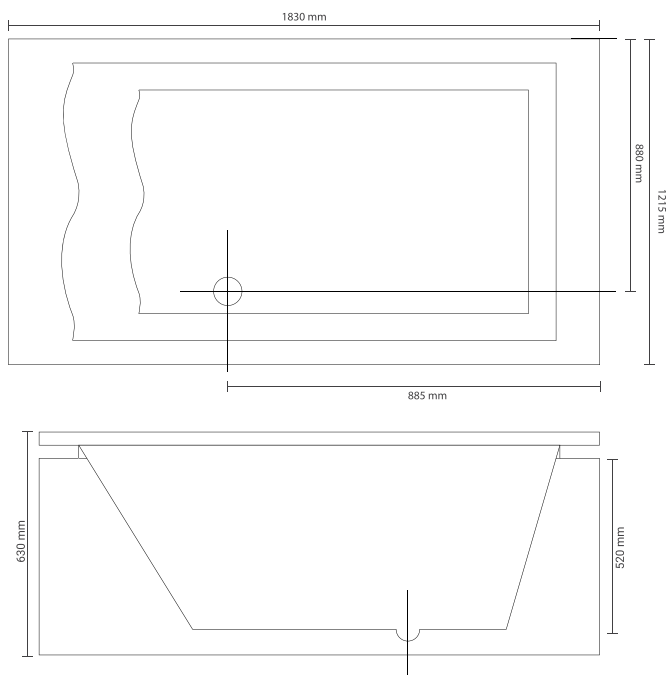
- Dry running protection
- Water level sensor
- Self locking protection

## Optional:

- Online heater
- Front panel (Wooden Finish/Acrylic)
- Side panel (Wooden Finish/Acrylic)

## Highlights:

- 2 hp hydro massage pump
- 11 Micro jets for back massage
- 8 Adjustable big hydro massage jets
- Radio & Bluetooth
- Under water chroma therapy light
- Speakers
- 16 Air therapy jets with blower
- Setting temperature for heater 25°C to 45°C
- Ozonizer o3
- Wooden finish rim artificial





# Sea

Size: 1855L X 1395W X 550D X 665H (MM)

## Features:

- Hot & cold mixer with diverter
- Hand shower
- Diverter for hand shower and water filler
- Water drain with popup & over flow
- Designer pillow
- Electronic control panel with remote
- Bath tub filler

## Safety features:

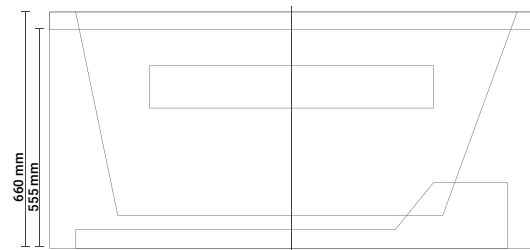
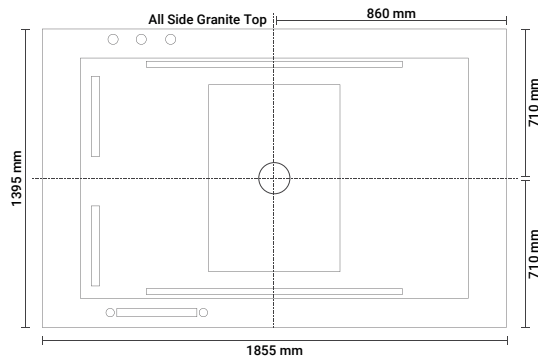
- Water lever sensor
- Dry running protection
- Self locking protection

## Optional:

- Online heater
- T.V.
- Pop-up speaker
- Front panel
- Side panel

## Highlights:

- Neck waterfall 2 pcs
- Full marble finish top
- Chroma light under the waterfall 26 pcs
- 6 Pcs big hydro massage jets
- 16 Air therapy jets with chroma light
- Hydro massage pump 2 hp x1
- 10 Spinal jets for back massage
- 1 Hp pump for water fall & neck water fall
- Air blower pump for air massage
- Big waterfall two side under the marble top
- Setting temperature for heater 25°C to 45°C
- Radio & Bluetooth
- Speaker
- Ozonizer o3





# Rainbow

Size: 1856L X 1750W X 540D X 680H (MM)

## Features:

- Hot & cold mixer with diverter
- Hand shower
- Diverter for hand shower and water filler
- Water drain with popup & overflow
- Designer pillow
- Electronic control panel with remote
- Bath tub filler
- Self locking protection

## Safety features:

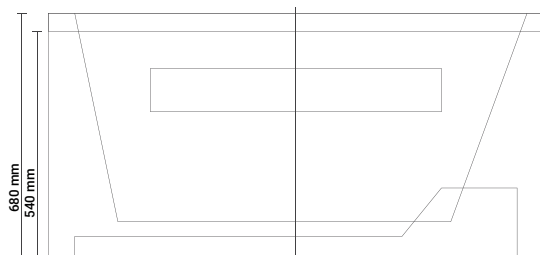
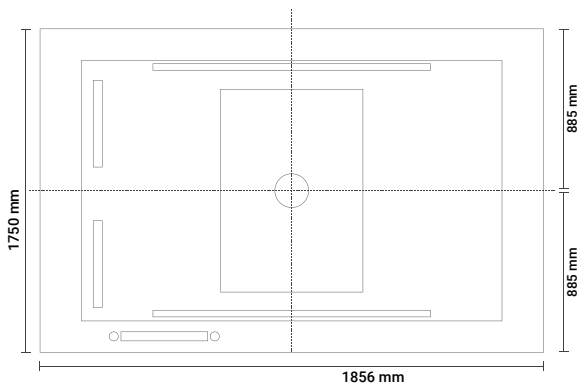
- Water lever sensor
- Dry running protection

## Optional:

- Online heater
- T.V.
- Pop-up speaker
- Front panel
- Side panel

## Highlights:

- 6 Pcs big hydro massage jets
- 16 Air therapy jets with chroma light
- Hydro massage pump 2hp
- 10 Spinal jets for back massage
- 1 Hp pump for water fall & neck water fall
- Air blower pump for air massage
- Big waterfall two side under the marble top
- Setting temperature for heater 25 to 45°C
- Radio & Bluetooth
- Speaker
- Ozonizer o3
- Neck waterfall 2 Pcs
- Full marble top
- Chroma light under the waterfall 28 Pcs





# Majestic

Size: 1885L X 1400W X 580D X 665H (MM)

## Features:

- Hot & cold mixer with diverter
- Hand shower
- Diverter for hand shower and water filler
- Water drain with popup & overflow
- Designer pillow
- Electronic control panel with remote

## Safety features:

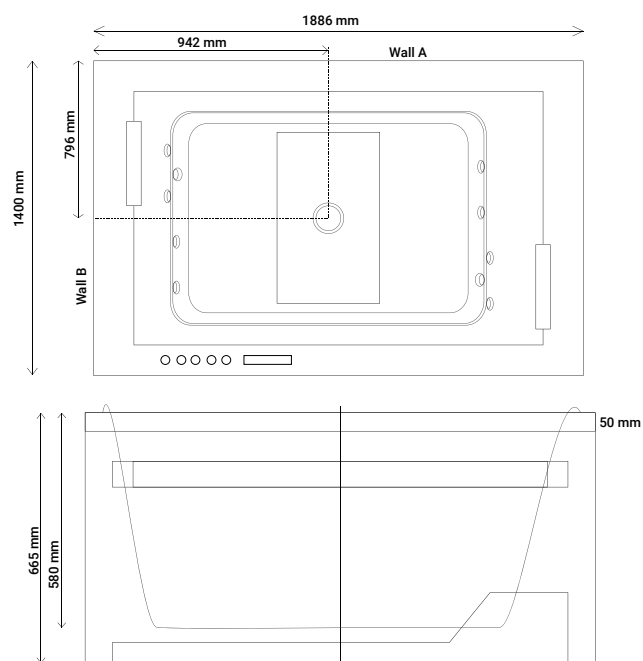
- Water level sensor
- Dry running protection
- Self locking protection

## Optional:

- Online heater
- Front panel
- Side panel

## Highlights:

- Bathtub for 2 persons
- Neck waterfall 2 pcs
- Marble table big water fall x1
- Led light under the waterfall x22
- 16 Air therapy jets with chroma light with blower
- Six big hydro massage jets
- Hydro massage pump 2 hp x1
- Radio & Bluetooth
- 10 Spinal jets for back massage
- 1 Hp pump for water fall & neck water fall
- Setting temperature for heater 25 to 45°C
- Ozonizer o3
- Speaker





# Ocean

Size: 1830L X 1505W X 620H (MM)

## Features:

- Touch screen control panel with remote
- Designer bath tub pillow
- Water filler
- Hot & cold mixer with two way diverter
- Hand shower
- Popup with overflow drain

## Safety features:

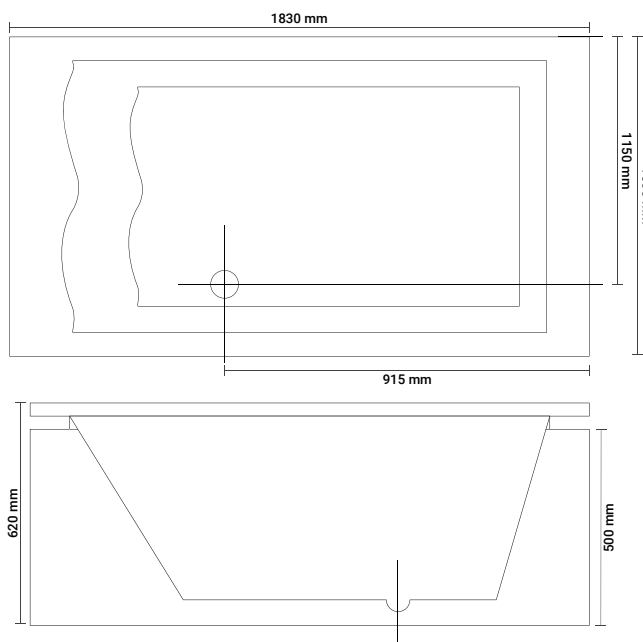
- Dry running protection
- Water level sensor
- Self locking protection

## Optional:

- Online heater
- Front panel (Wooden Finish/Acrylic)
- Side panel (Wooden Finish/Acrylic)

## Highlights:

- 2 hydro massage pump
- 11 Micro jets for back massage
- Radio & Bluetooth
- 8 Adjustable big hydro massage jets
- Under water chroma therapy light
- Speakers
- 16 Air therapy jets with blower
- Ozonizer o3
- Setting temperature for heater 25 to 45°C
- Wooden finish rim artificial





# Pond

Size: 1815L X 1805W X 550D X 665H (MM)

## Features:

- Hot & cold mixer with diverter
- Water filler
- Hand shower
- Diverter for hand shower and water filler
- Water drain with popup # over flow
- Designer pillow
- Touch screen control panel with remote

## Safety features:

- Dry running protection
- Water level sensor
- Self locking protection

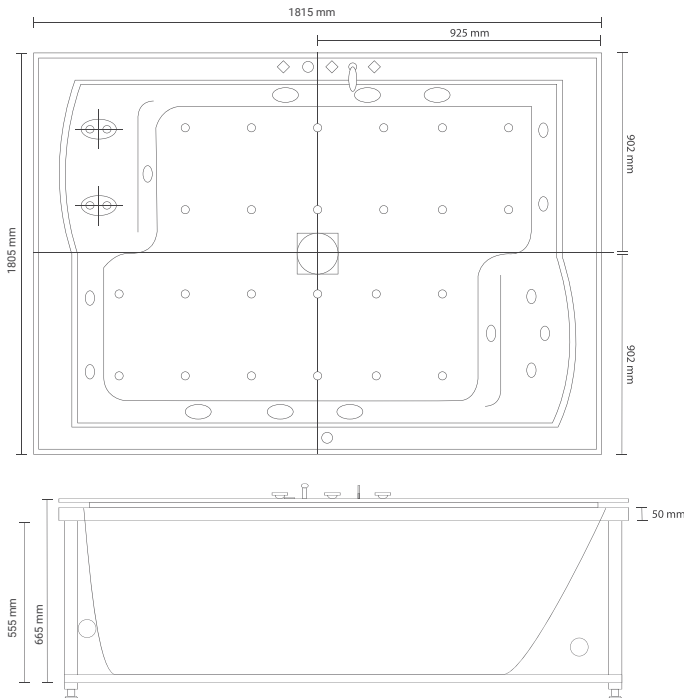
## Optional:

- Online heater
- Front panel (Wooden Finish/Acrylic)

- Side panel (Wooden Finish/Acrylic)

## Highlights:

- Bathtub for 2 persons
- 24 Air therapy jets with blower
- 8 Big hydro massage jets
- Hydro massage pump 2 hp
- Radio & Bluetooth
- 11 Spinal jets for back massage
- Ozonizer o3
- Speaker
- Setting temperature for heater 25 to 45°C
- Under water chroma light
- Wooden finish rim artificial





# Explorer

Size: 1700 RADIUS X 525D X 645H (MM)

## Features:

- Hot & cold mixer with diverter
- Hand shower
- Diverter for hand shower and water filler
- Water drain with popup & overflow
- Designer pillow
- Touch screen control panel with Remote

## Safety features:

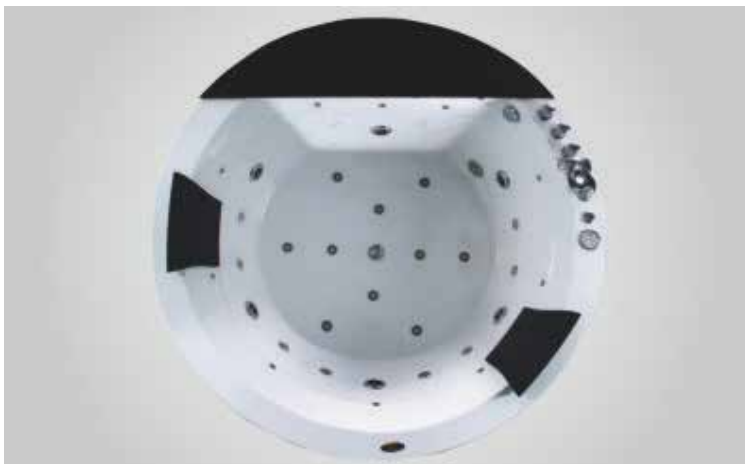
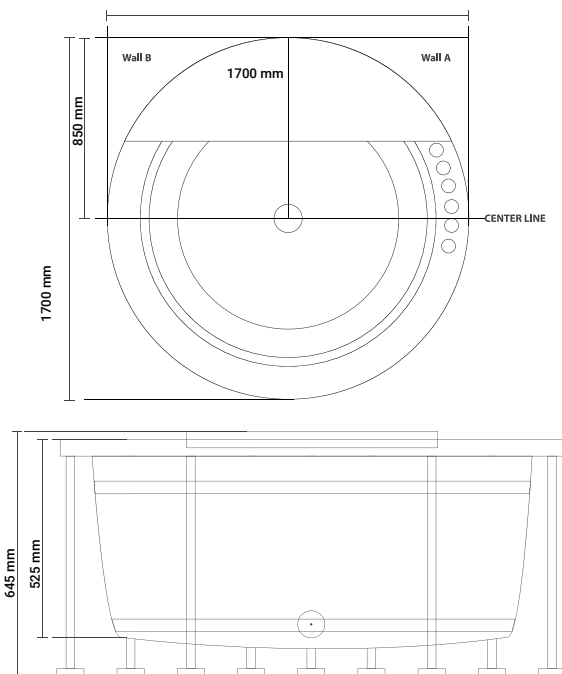
- Dry running protection
- Water level sensor
- Self locking protection

## Optional:

- Online heater

## Highlights:

- Bathtub for 2 persons
- Marble table
- Big water fall x1
- Led light under the waterfall x15
- 10 Air therapy jets with chroma light with blower
- Six big hydro massage jets
- Hydro massage pump 2 hp x1
- Radio & Bluetooth
- Eight spinal jets for back
- Speaker
- Ozonizer o3
- Setting temperature for heater 25 to 45°C
- 1 hp pump for cascade fall x1







## Therapeutic Bath

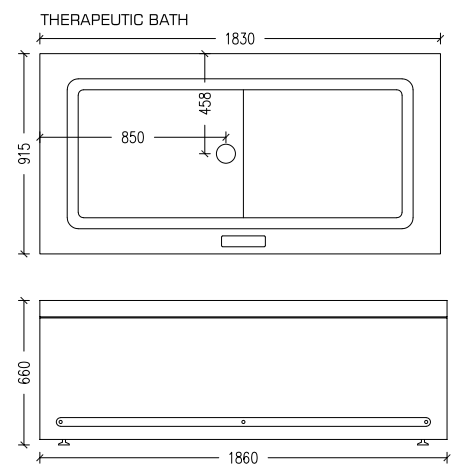
Size: 1830L X 915W (MM)

### Features:

- Single seater acrylic tub.
- White in colour.
- Ss frame.
- 1 Hp pump.
- Heater 6 kw ( 3+3 kw)
- Suctions x2
- 2 Outlet jets
- Electronic control
- Timer, temp, heater on/off

### Safety features:

- Water lever sensor
- Dry running protection





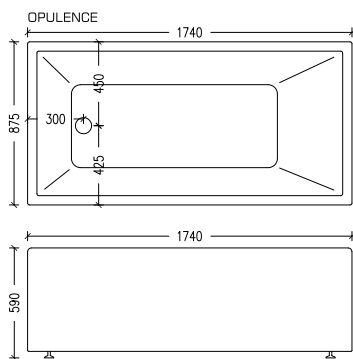
# Opulence



**Size:** 1740L X 875W X 470D X 590H (MM)

**Features:**

- Exquisite free standing Bath Tub





# Muse

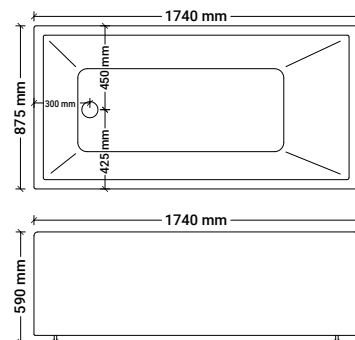


**Size:** 1740L X 875W X 470D X 590H MM

**Features:**

- Exquisite free standing Bath tub
- 5 Spinal jets
- 7 hydromassage big jets
- Electronic Touch control panel
- Underwater light
- Pop-up waste for drain
- 2 H.P pump

**Note:** Black color & Gold accessories are optional. standard color white and accessories in chrome.





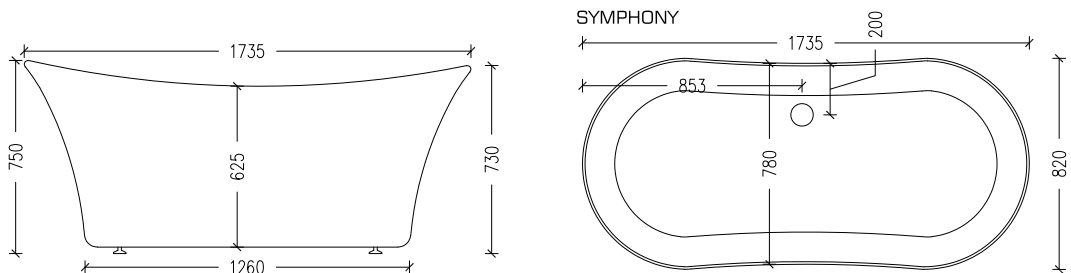
# Symphony



**Size:** 1735L X 780W X 750H Head Side, 730H Foot Side (MM)

**Features:**

- Exquisite free standing Bath Tub



# Pearl

Size: 1820 RADIUS X 690D X 810H (MM)

## Features:

- Hot & cold mixer with diverter
- Water filler
- Hand shower
- Diverter for hand shower and water filler
- Water drain with popup & overflow
- Designer pillow
- Touch screen control panel with remote

## Safety features:

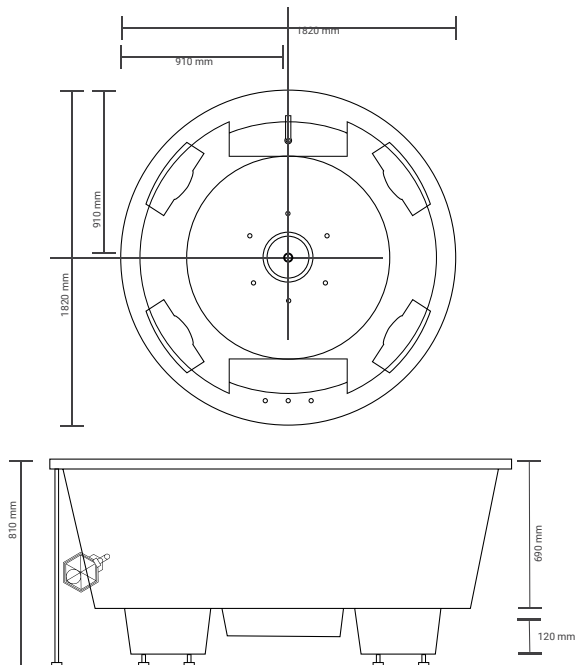
- Dry running protection
- Water level sensor
- Self locking protection

## Optional:

- Online heater

## Highlights:

- Bathtub for 4 persons
- 10 Air therapy jets with chroma light with blower
- 8 big hydro massage jets
- Hydro massage pump 2 hp
- Radio & Bluetooth
- Setting temperature for heater 25°C to 45°C
- Ozonizer o3
- Speaker





# Glamour

Size: 1528L X 1650W X 550D X 660H (MM)

## Features:

- Electronic control panel with remote
- Water drain with popup & over flow
- Hand shower
- Hot & cold mixer with diverter
- Bath tub filler
- Flow diverter to switch flow between micro jets and hydro massage jets
- Designer pillow 2 pcs

## Safety features:

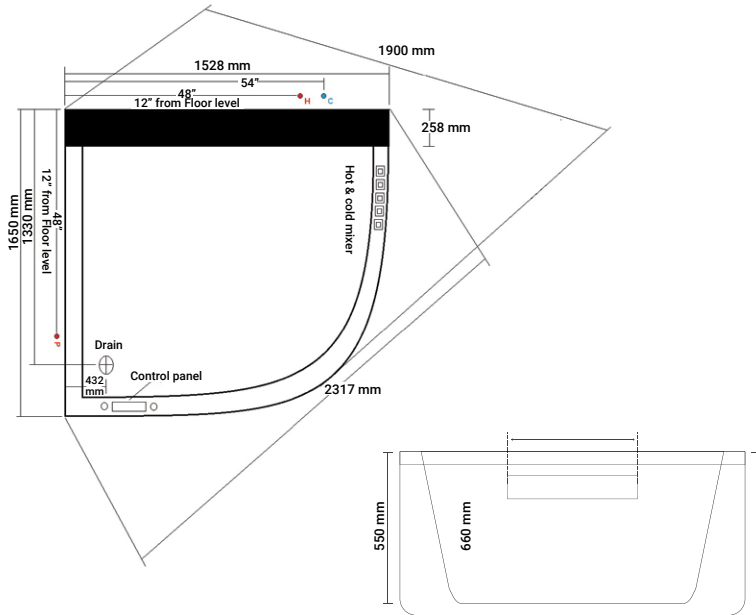
- Water lever sensor
- Dry running protection
- Self locking protection

## Optional:

- Online heater

## Highlights:

- 2 Hp pump for jacuzzi
- 1 Hp pump for waterfall & neck waterfall
- Air blower pump for air massage
- Chroma light 6 pcs under the waterfall
- Air massage jet with chroma light 15 pcs
- Big hydro massage jets 6 pcs
- Back jets 7 pcs
- Neck fall 2 pcs
- Marble finish top 1 pc
- Big waterfall under the Marble top 1 pc
- Radio & Bluetooth
- Speaker
- Ozonizer o3





# Perfect

Size: 1545L X 1545W X 488D X 595H (MM)

### Features:

- Touch screen control panel with remote
- Designer bath tub pillow
- Water filler
- Hot & cold mixer with two way diverter
- Hand shower
- Pop up for drain with overflow

### Safety features:

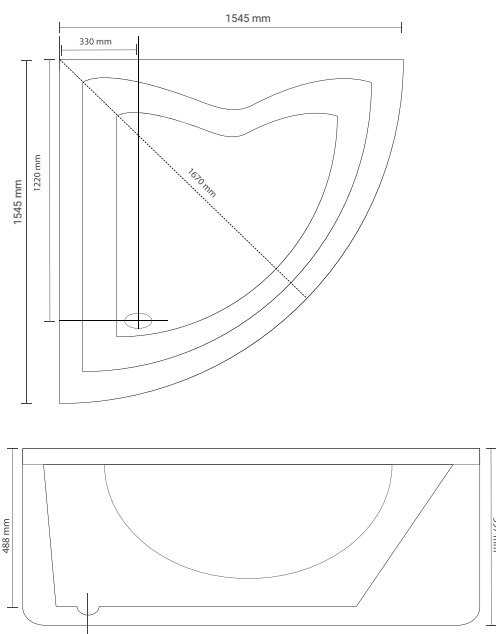
- Dry running protection
- Water level sensor
- Self locking protection

### Optional:

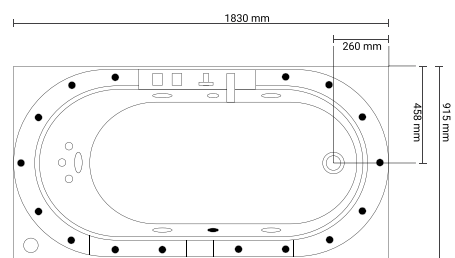
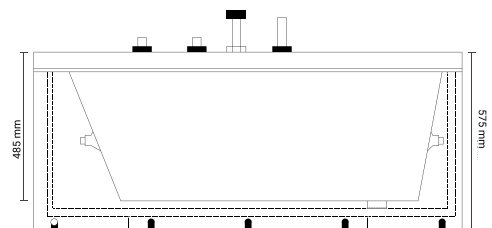
- Online heater

### Highlights:

- 2 Hp hydro massage pump
- Under water light with chroma
- Speakers
- 8 Air therapy jets with blower
- Ozonizer o3
- 7 Micro jets for back massage
- 8 Adjustable big hydro massage jets
- Radio & Bluetooth
- Setting temperature for heater 25°C to 45°C
- Wooden finish rim artificial







## Amazon

Size: 1830L X 915W X 485D X 575H (MM)

### Features:

- Hot & cold mixer with diverter
- Water filler
- Hand shower
- Diverter for hand shower and water filler
- Water drain with popup & overflow
- Designer pillow
- Touch screen control panel with remote
- Front and side panel

### Safety features:

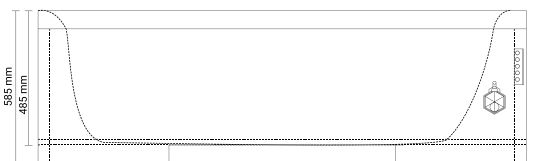
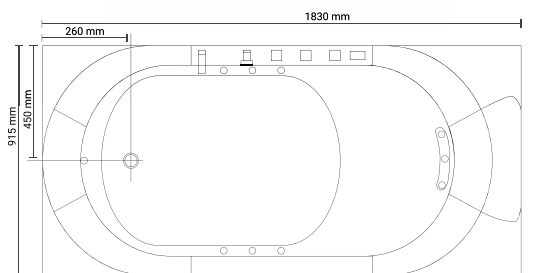
- Dry running protection
- Water level sensor
- Self locking protection

### Optional:

- Online heater

### Highlights:

- Overflow return slot with led light
- 8 Air therapy jets with chroma light & blower
- 7 Big hydro massage jets
- Hydro massage pump 2 hp
- Ozonizer o3
- Radio & Bluetooth
- Speaker
- 3 Spinal jets for back massage
- Setting temperature for heater 25 to 45°C



## Shine

Size: 1830L X 915W X 485D X 585H (MM)

### Features:

- Hot & cold mixer with diverter
- Water filler
- Hand shower
- Diverter for hand shower and water filler
- Water drain with popup & overflow
- Designer pillow
- Touch screen control panel with remote

### Safety features:

- Dry running protection
- Water level sensor
- Self locking protection

### Optional:

- Online heater

### Highlights :

- Soft designer rim
- Eight air therapy jets with chroma light
- Three spinal jets for back massage
- Seven big hydro massage jets
- Hydro massage pump 2hp
- Fm radio with cd signal input terminal
- Speaker
- Ozonizer o3
- Setting temperature for heater 25 to 45°C



## Swift

Size: 1626L X 826W X 525D X 645H (MM)

### Features :

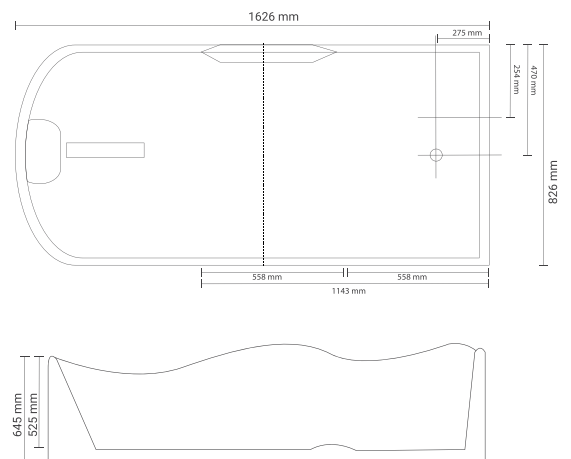
- 6 Big hydro massage jets
- 6 Micro jets for back massage
- 1 Hp hydro massage pump x1
- Hand shower
- Hot & cold mixer with diverter
- Water filler
- Electronic control panel
- Designer pillow
- Chroma light
- Popup waste for drain
- Ozone O3

### Optional :

- 8 Air therapy jets with blower
- Online heater

### Safety features :

- Dry running protection and water level sensor





## Lagoon

Size: 1425L X 1425W X 430D X 530H (MM)

### Features:

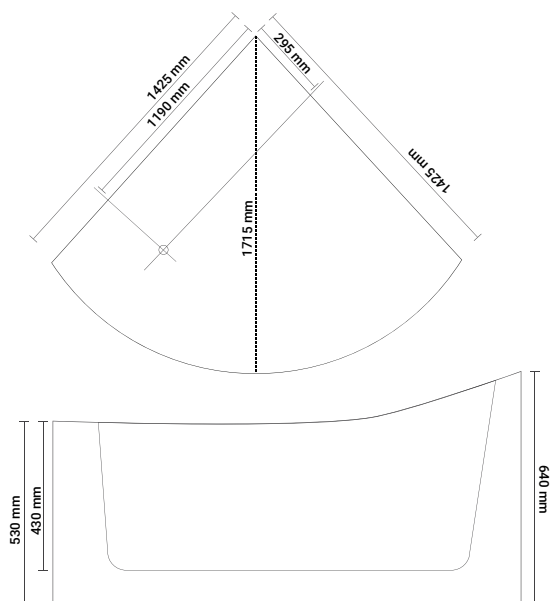
- 10 Spine relieving hydro massage jets for greatest pleasure
- 6 Hydrotherapy massage jets for complete relaxation
- Head rest for ease and comfort
- Hand shower with adjustable sprays
- Fitted with pleasing light, water filler and hot & cold mixer
- Fitted with 2 hp energy saver pump
- Feather touch operation for pump and light
- Flow diverter to switch flow between micro jets and hydro massage jets
- Popup for drain with overflow for drain

### Safety features:

- Water level sensor
- Dry running protection

### Optional:

- 8 Air therapy jets with blower
- Online heater





## Appeal

**A) Size:** 1524L X 914W X 470D X 572H (MM)

**Features :**

- 6 Hydro massage jets
- 4 Micro jets for back
- Under water light with chroma
- 1 Hp hydro massage pump
- Designer pillow
- Popup waste with overflow for drain
- Hot & cold mixer and diverter
- Hand shower
- Water filler
- Electronic control panel
- Ozone O3

**B) Size:** 1830L X 914W X 470D X 572H (MM)

**Features :**

- 8 Hydro massage jets
- 4 Micro jets for back
- Under water light with chroma
- 2 Hp hydro massage pump
- Designer pillow
- Popup waste with overflow for drain
- Hot & cold mixer and diverter
- Hand shower
- Water filler
- Electronic control panel
- Ozone O

**C) Size:** 1830L X 1070W X 470D X 572H (MM)

**Features :**

- 8 Hydro massage jets
- 4 Micro jets for back
- Under water light with chroma
- 2 Hp hydro massage pump
- Designer pillow
- Popup waste with overflow for drain
- Hot & cold mixer and diverter
- Hand shower
- Water filler
- Electronic control panel
- Ozone O3



**D) Size:** 1473L X 1220W X 445D X 545H (MM)

**E) Size:** 1830L X 1220W X 470D X 572H (MM)

**Features :**

- 8 Hydro massage jets
- 8 Micro jets for back
- Under water light with chroma
- 2 Hp hydro massage pump
- Designer pillow
- Popup waste with overflow for drain
- Hot & cold mixer and diverter
- Hand shower
- Water filler
- Electronic control panel
- Ozone O3

**F) Size:** 1830L x 1525W x 595H (MM)

**G) Size:** 1830L x 1830W x 595H (MM)

**Features :**

- 8 Hydro massage jets
- 8 Micro jets for back
- Under water light with chroma
- 2.5 HP hydro massage pump
- Designer pillow
- Popup waste with overflow for drain
- Hot & cold mixer and diverter
- Hand shower
- Water filler
- Electronic control panel
- Ozone O3

**Safety features :**

- Dry running protection and water level sensor

**Optional :**

- 8 Air therapy jets with blower
- Online heater



## Grace

Size: 1689L X 745W X 405D X 540H (MM)

### Features:

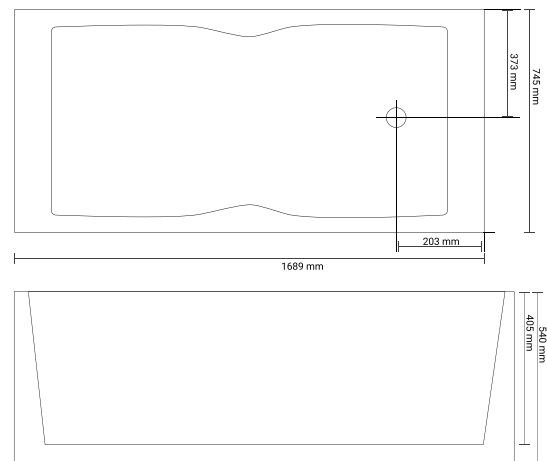
- 6 Hydro massage jets
- 2 Spinal jets for back
- 1 Hp jacuzzi
- Water filler and hand shower
- Electronic control panel
- Popup waste with overflow for drain
- Hot & cold mixer with diverter
- Chromotherapy light

### Safety features:

- Dry running protection and water level sensor

### Optional:

- 8 Air therapy jets with blower
- Online heater





## Desire

Size: 1676L X 762W X 442D X 550H (MM)

Size: 1524L X 762W X 442D X 550H (MM)

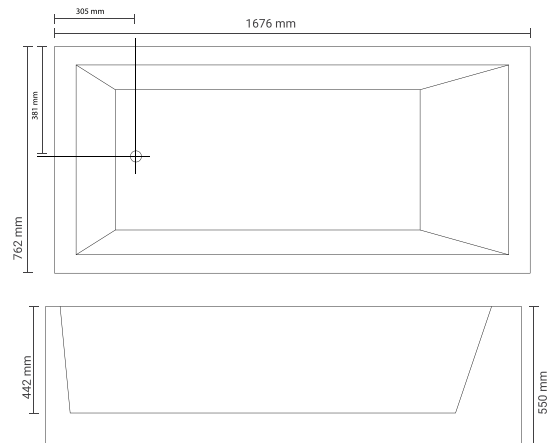
### Features:

- 4 Spinal jets for back
- 6 Hydro massage jets
- Under water chroma light
- 1 Hp hydro massage pump x1
- Designer pillow
- Hot & cold mixer and diverter
- Hand shower
- Electronic control panel
- Popup for drain with overflow for drain
- Water filler
- Ozone O3

### Safety features:

- Dry running protection and water level

- sensor
- Optional:**
- Air therapy jets with blower
  - Online heater





## Beauty

Size: 1689L X 795W X 420D X 520H (MM)

### Features :

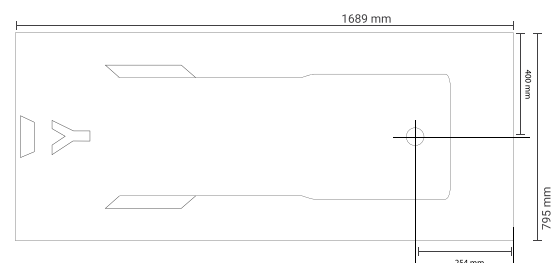
- 5 Spine relieving hydro massage jets
- 6 Hydrotherapy massage jets powered pump of 1 hp x1
- Bathtub filler with multi flow hand shower
- Touch control panel
- Hot and cold mixer with diverter
- Designer head rest
- Under water chroma light
- Popup waste with overflow
- Ozone O3

### Safety features :

- Dry running protection and water level sensor

### Optional :

- 8 Air therapy jets with blower
- Online heater





## Ideal

**Size:** 1803L X 914W X 465D X 565H (MM)

### Features :

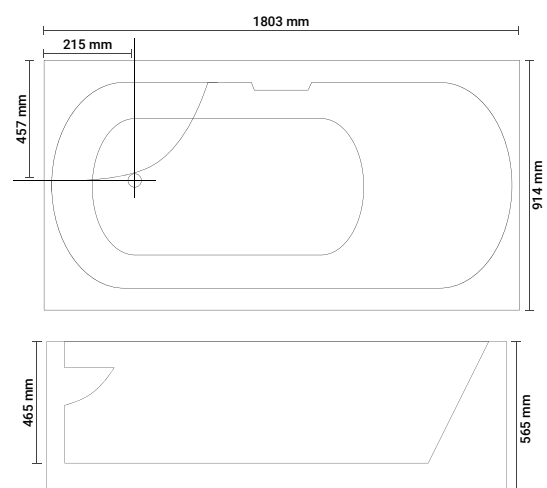
- 7 Spine relieving hydro massage jets
- 6 Hydrotherapy massage jets powered pump of 2 hp
- Bathtub filler with multi flow hand shower
- Touch control panel
- Single liver hot and cold mixER with diverter
- Designer head rest
- Under water chroma light
- Popup waste with overflow
- Ozone O3

### Safety features :

- Dry running protection and water level sensor

### Optional :

- 8 Air therapy jets with blower
- Online heater





## Ecstasy

Size: 1788L X 899W X 457D X 557H (MM)

### Features:

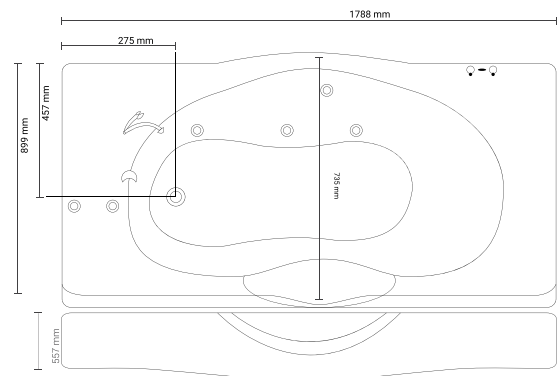
- 4 Spine relieving hydro massage jets for greatest pleasure
- 6 Hydrotherapy massage jets for complete relaxation
- Head rest for ease and comfort
- Fitted with pleasing light, water filler and hot and cold mixer
- Fitted with 2 hp energy saver pump
- Feather touch operation for pump and light
- Popup for drain with overflow
- Hand shower

### Safety features:

- Water level sensor and dry Running protection

### Optional:

- 8 Air therapy jets with blower
- Online heater





## Sonic

**Size:** 1495L X 1495W X 550H (MM)

### Features:

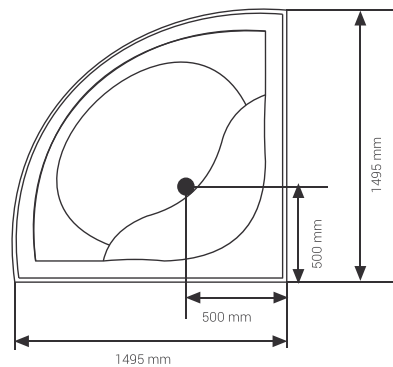
- 6 Hydro massage jets
- 4 Spinal Jets
- Chroma Light
- Hot & Cold mixer with hand shower & diverter
- 2.0" Waterfall
- 1 hp hydro massage pump x1
- Popup waste with over flow
- Headrest - 2 pcs
- Touch control panel

### Safety features:

- Dry running protection
- Water level sensor

### Optional:

- Air therapy jets with blower
- Online heater





## Smart

Size: 1830L X 1067W X 460D X 560H (MM)

### Features:

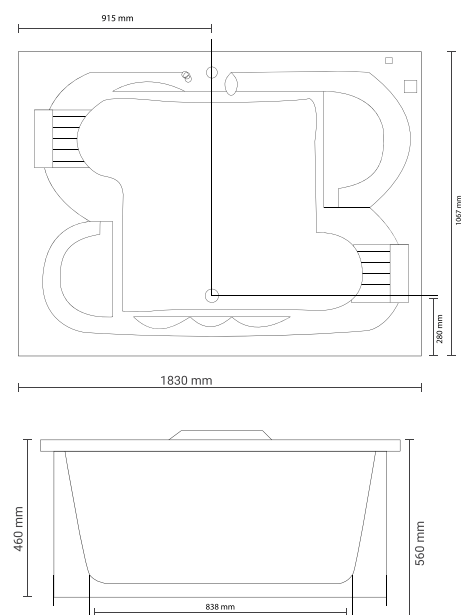
- 6 Hydro massage jets
- 8 Micro jets for back
- Under water chroma light
- 2 Hp hydro massage pump x1
- Designer pillow
- Hot & cold mixture and divertor with spout
- Hand shower
- Electronic control panel
- Popup waste with overflow for drain
- Water filler
- Ozone O3

### Optional:

- 8 Air therapy jets with blower
- Online heater

### Safety features:

- Dry running protection and water level sensor





## Attraction

Size: 1830L X 1220W X 445D X 560H (MM)

### Features:

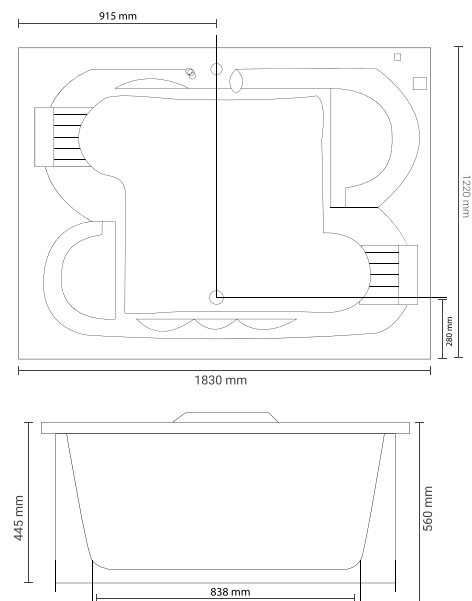
- 6 Hydro massage jets
- 8 Micro jets for back massage
- Under water light with chroma
- 2 Hp hydro massage pump
- Designer pillow
- Hot & cold mixer and diverter with spout
- Hand shower
- Popup waste with overflow for drain
- Electronic control panel
- Ozone O3

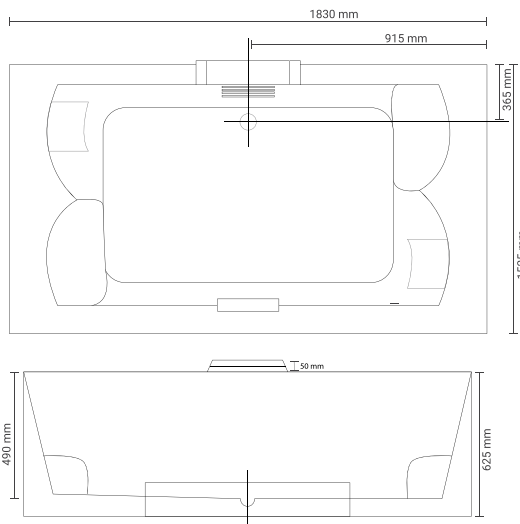
### Optional:

- 8 Air therapy jets with blower
- Online heater

### Safety features:

- Dry running protection and water level sensor





## Lord

Size: 1830L X 1525W X 490D X 625H (MM)

### Features:

- Electronic control panel
- 2 Hp hydro massage system
- 8 Micro jets for back massage
- 6 Adjustable hydro massage jets
- Designer bath tub pillow
- In-built water filler
- Hot & cold single lever mixer
- Two hand shower with individual control
- Popup with overflow for drain
- Under water chroma therapy light
- Flow diverter to switch flow between micro jet & hydro massage jet
- Ozone O3

### Safety features:

- Dry running protection
- Water level sensor

### Optional:

- 8 Air therapy jets with blower
- Online heater



## Spacial

Size: 1326L X 1326W X 430D X 523H(MM)

### Features:

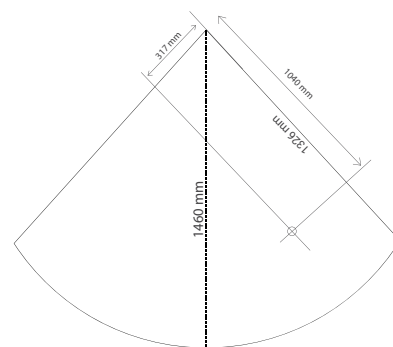
- 4 Spine relieving hydro massage jets for greatest pleasure
- 6 Hydrotherapy massage jets for complete relaxation
- Head rest for ease and comfort
- Hand shower with adjustable sprays
- Fitted with pleasing light, water filler and hot& cold mixer
- Fitted with 2 hp energy saver pump
- Feather touch operation for pump & light
- Popup for drain with overflow for drain
- Ozone O3

### Safety features:

- Water lever sensor
- Dry running protection

### Optional:

- Online heater
- 8 Air therapy jets with blower





## Century

Size: 1465L X 1465W X 465D X 559H (MM)

### Features:

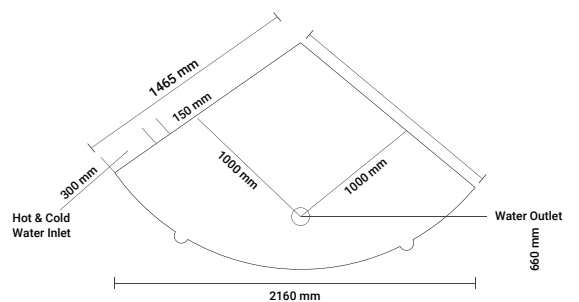
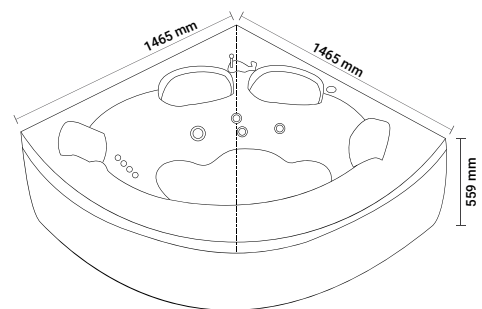
- 12 Spine relieving hydro massage jets for greatest pleasure
- 6 Hydrotherapy massage jets for complete relaxation
- Head rest for ease and comfort
- Fitted with pleasing light, water filler and hot & cold mixer
- Fitted with 2 hp energy saver pump
- Feather touch operation for pump and light
- Flow diverter to switch flow between micro jets & hydro massage jets
- Pop-up for drain with overflow

### Safety features:

- Water level sensor
- Dry running protection

### Optional :

- Online heater
- 8 Air therapy jets with blower





## Evoke

Size: 1428L X 1428W X 425D X 525H (MM)

### Features:

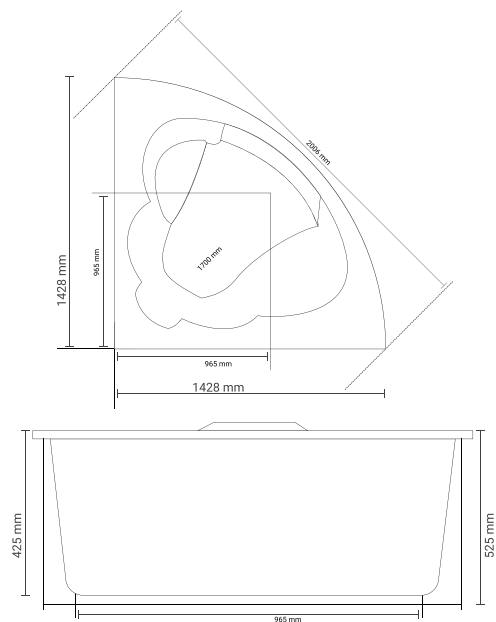
- 4 Roto massage jets
- 6 Hydro massage jets
- 1 Hp hydro massage pump
- Designer pillow
- Hot & cold mixer and diverter
- Hand shower
- Water filler
- Popup waste with overflow
- Electronic control panel
- Ozone O3

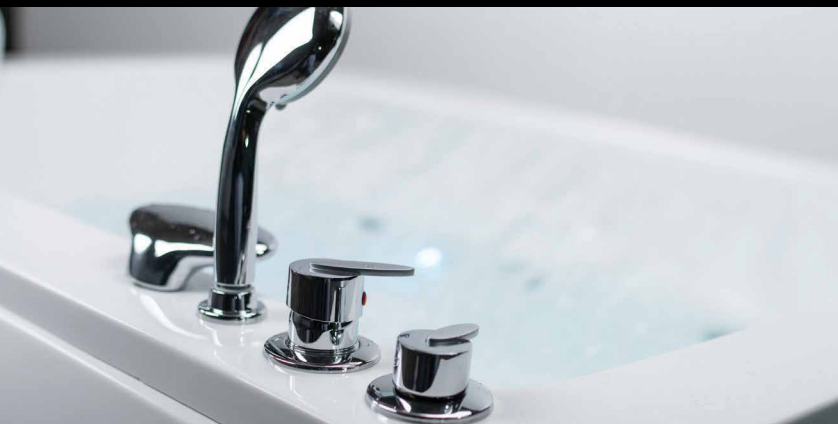
### Optional:

- Online heater
- 8 Air therapy jets with blower

### Safety features:

- Water level sensor
- Dry running protection





## Victoria

**Size A:** 1676L X 762W X 442D X 550H (MM)

**Features:**

- 1 H.P Whirlpool system
- 8 hydromassage jets
- 4 back jets
- Chromotherapy lights
- Pop up waste
- Electronic control
- Disinfection system
- Headrest
- Front panel
- Hot & Cold Mixer with spout
- Flow Diverter to switch flow between spinal jet & hydro massage jet

**Size B:** 1830L X 914W X 470D X 572H (MM)

**Features:**

- 2 H.P Whirlpool system
- 8 hydromassage jets
- 4 back jets
- Chromotherapy lights
- Pop up waste with overflow & spout
- Electronic control
- Disinfection system
- Headrest
- Front panel
- Flow Diverter to switch flow between spinal jet & hydro massage jet

**Size C:** 1830L X 1070W X 470D X 572H (MM)

**Features :**

- 2 H.P Whirlpool system
- 8 hydromassage jets
- Slim & flat water jets
- 4 back jets
- Chromotherapy lights
- Pop up waste
- Electronic control
- Disinfection system
- Headrest
- Front panel
- Hot & Cold Mixer
- Flow Diverter to switch flow between spinal jet & hydro massage jet



**Size D:** 1830L X 1220W X 470D X 545H (MM)

**Features :**

- 2 H.P Whirlpool system
- 8 hydromassage jets
- Slim & flat water jets
- 8 back jets
- Chromotherapy lights
- Pop up waste
- Electronic control
- Disinfection system
- Headrest
- Front panel
- Hot & Cold Mixer with spout
- Flow Diverter to switch flow between spinal jet & hydro massage jet

**Size E:** 1830L X 1525W X 595H (MM)

**Features :**

- 2.5 H.P Whirlpool system
- 8 hydromassage jets
- Slim & flat water jets
- 8 back jets
- Chromotherapy lights
- Pop up waste
- Electronic control
- Disinfection system
- Headrest
- Front panel
- Hot & Cold Mixer with spout
- Flow Diverter to switch flow between spinal jet & hydro massage jet

**Size F:** 1830L X 1830W X 595H (MM)

**Features :**

- 2.5 H.P Whirlpool system
- 8 hydromassage jets
- Slim & flat water jets
- 8 back jets
- Chromotherapy lights
- Pop up waste
- Electronic control
- Disinfection system
- Headrest
- Front panel
- Hot & Cold Mixer with spout
- Flow Diverter to switch flow between spinal jet & hydro massage jet

- **Safety features:**
- Water lever sensor
- Dry running protection

- **Optional:**
- Air therapy system
- Online heater
- Side panel .



## Jasmine

Size: 1524L X 762W X 420D (MM)

### Features:

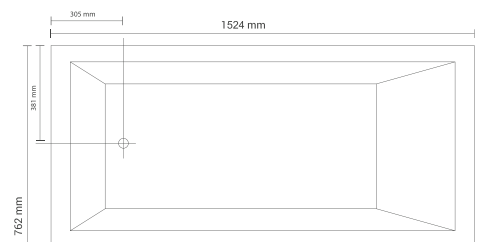
- With front panel
- Material -sanitary ware acrylic sheet with reinforcement water jets -8 nos.
- 1 H.P water pump
- Chromotherapy light
- Overflow with drain pipe
- Spout
- Electronic control
- Back jets -4 nos.
- Popup
- Headrest
- Disinfectory

### Safety features:

- Water lever sensor
- Dry running protection

### Optional:

- Hot & Cold Mixer with Diverter & Hand Shower
- Online Heater
- Side Panel
- Air jets -12 nos.
- Air blower





## Andrea

Size: 1676L X 762W X 420D (MM)

### Features:

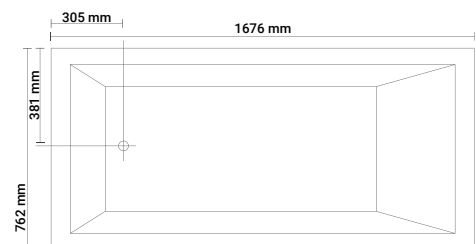
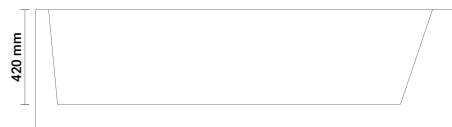
- 1 H.P Whirlpool system
- 8 hydromassage jets
- 4 back jets
- Chromotherapy lights
- Pop up waste with overflow & spout
- Electronic control
- Disinfection system
- Headrest
- Front panel

### Safety features:

- Water lever sensor
- Dry running protection

### Optional:

- Air therapy system
- Hot & cold mixer
- Online heater
- Side panel .





## Raft

**Size:** 1830L X 914W X 470D (MM)

### Features:

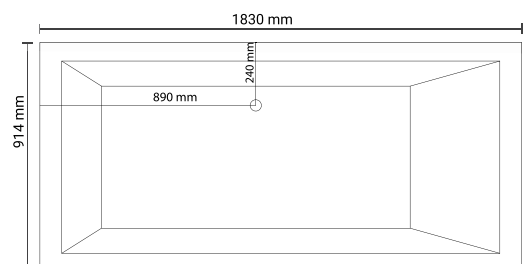
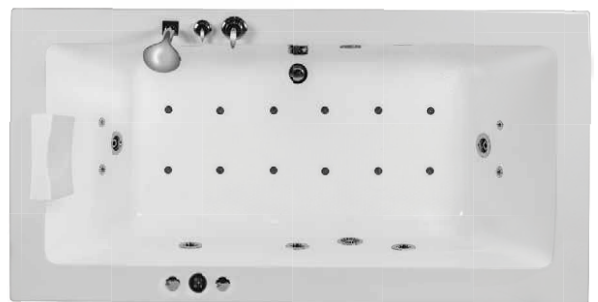
- 1 H.P Whirlpool system
- 8 hydromassage jets
- 4 back jets
- Chromotherapy lights
- Pop up waste with overflow & spout
- Electronic control
- Disinfection system
- Headrest
- Front panel

### Safety features:

- Water level sensor
- Dry running protection

### Optional:

- Air therapy system
- Hot & cold mixer
- Online heater
- Side panel .





## Radius

Size: 1600L X 1600W X 470D (MM)

### Features:

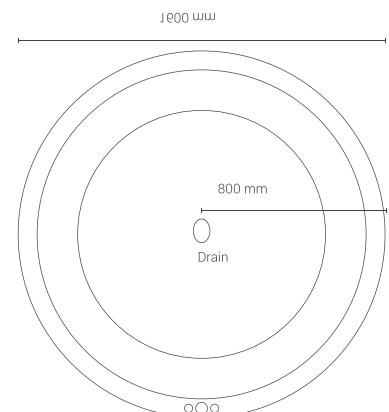
- 1.4 H.P Whirlpool system
- 8 hydromassage jets
- 4 back jets
- Slim jets 80 mm
- Chromotherapy lights
- Pop up waste with overflow & spout
- Electronic control
- Disinfection system
- Headrest

### Safety features:

- Water level sensor
- Dry running protection

### Optional:

- Air therapy system
- Hot & cold mixer
- Online heater





## Creato

Size: 1422L X 1422W X 450D (MM)

### Features:

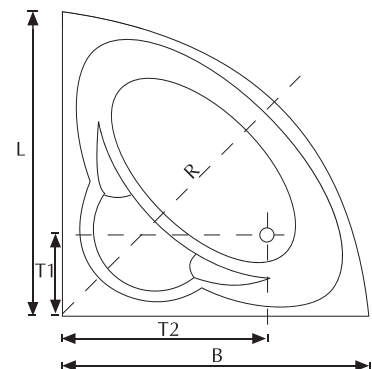
- 1 H.P Whirlpool system
- 6+4 hydromassage jets
- 4 back jets
- Chromotherapy lights
- Pop up waste with overflow & spout
- electronic control
- Disinfection system
- Headrest
- Front panel

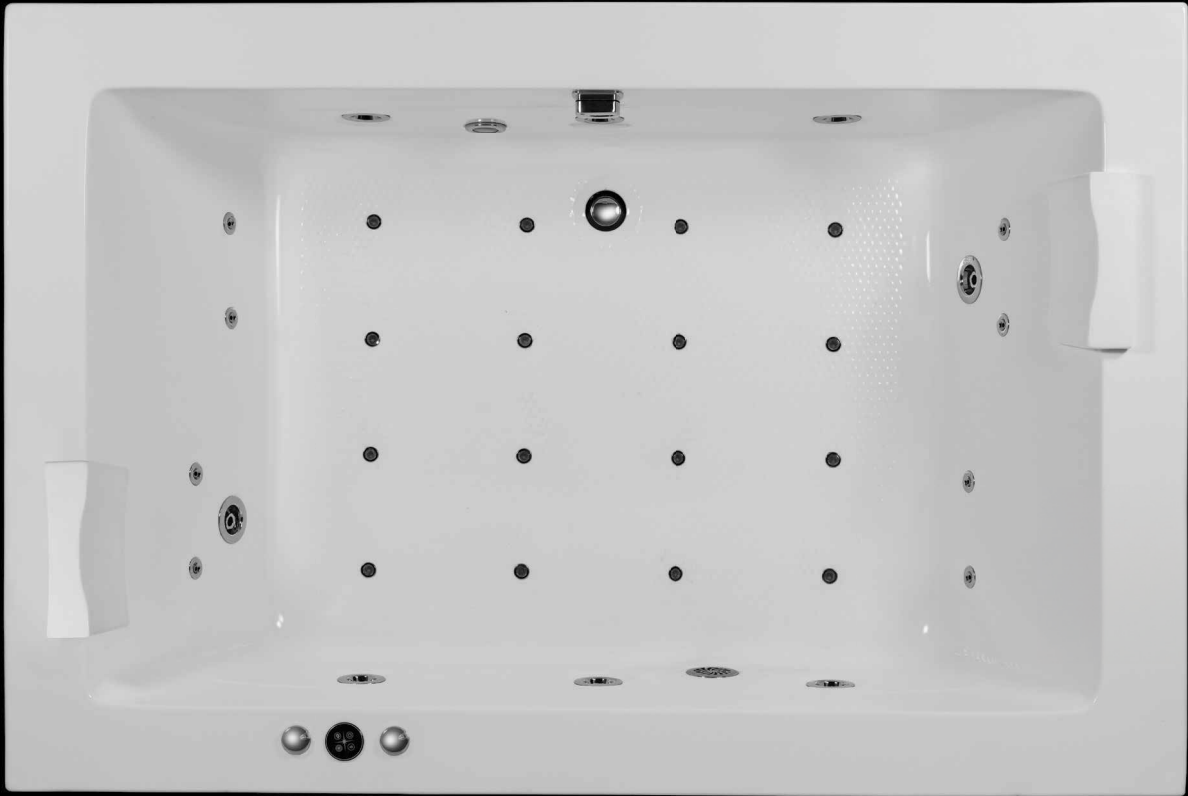
### Safety features:

- Water level sensor
- Dry running protection

### Optional:

- Air therapy system
- Hot & cold mixer
- Online heater





## Olivia

**Size:** 1830L x 1220W x 470D (MM)

### Features:

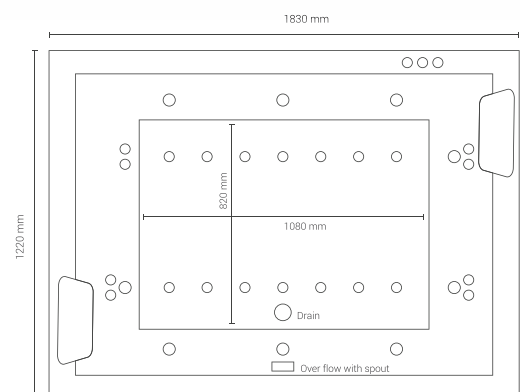
- 1.4 H.P Whirlpool system
- 8 hydromassage jets
- Slim & flat water jets
- 8 back jets
- Chromotherapy lights
- Pop up waste with overflow & spout
- Electronic control
- Disinfection system
- Headrest
- Front panel

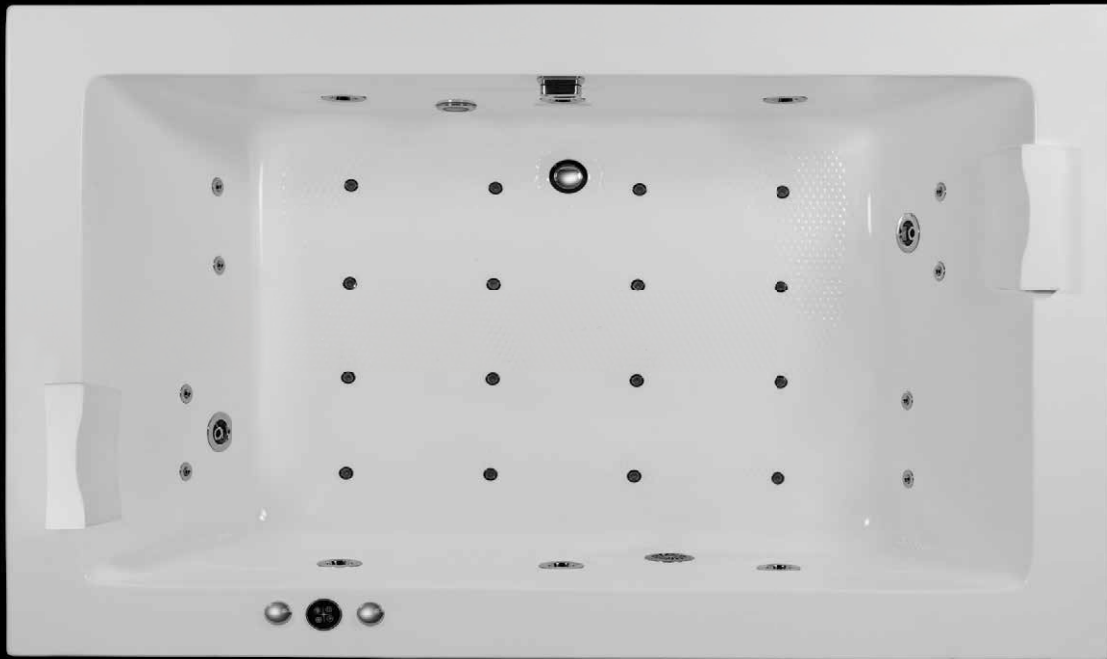
### Safety features:

- Water level sensor
- Dry running protection

### Optional:

- Air therapy system
- Hot & cold mixer
- Online heater
- Side panel





## Quadra

Size: 1830L x 1070W x 480D (MM)

### Features:

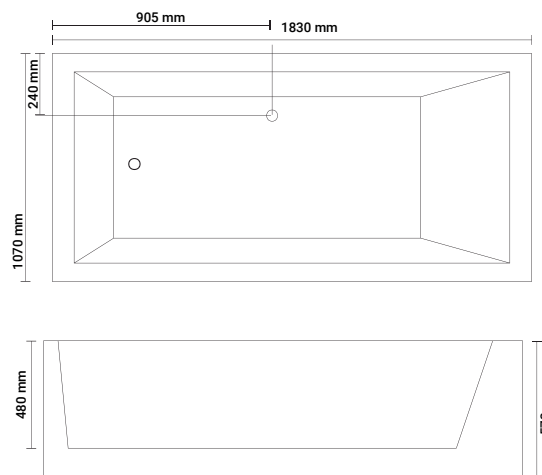
- 1.4 H.P Whirlpool system
- 8 hydromassage jets
- Slim & flat water jets
- 4 back jets
- Chromotherapy lights
- Pop up waste with overflow & spout
- Electronic control
- Disinfection system
- Headrest
- Front panel

### Optional:

- Air therapy system
- Hot & cold mixer
- Online heater
- Side panel

### Safety features:

- Water level sensor
- Dry running protection



A woman is relaxing in a hot spring. Her legs are raised and resting on a red towel. The water is dark and bubbling. Several red hibiscus flowers are floating in the water. The background shows lush green foliage.

**Relax &  
Rejuvenate**

# Bath Tubs



WovënGold





## Magnastar

Water Capacity: 240 Ltr. / 210 Ltr.

L	B	D	T1	T2
1675	762	381	381	240
1524	762	381	381	240



## Maurya

Water Capacity: 250 Ltr. / 215 Ltr. / 185 Ltr.

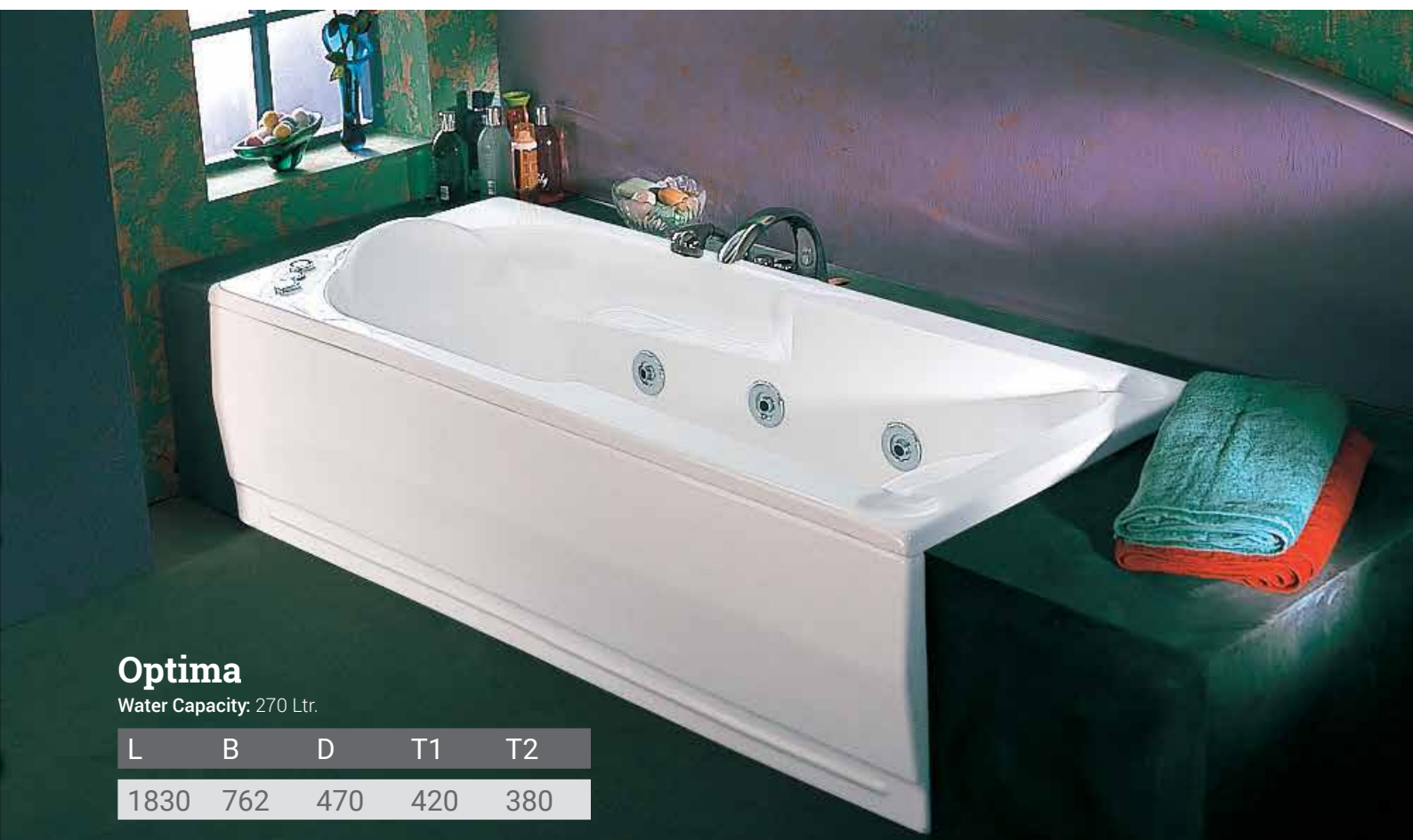
L	B	D	T1	T2
1676	762	381	381	267
1524	762	381	381	267
1372	762	381	381	267



## Voyage

Water Capacity: 310 Ltr. / 240 Ltr.

L	B	D	T1	T2
1676	930	425	465	241
1676	762	425	381	290



## Optima

Water Capacity: 270 Ltr.

L	B	D	T1	T2
1830	762	470	420	380



## Combine

Water Capacity: 320 Ltr.

L	B	D	T1	T2
1830	914	406	457	254



## Christina

Water Capacity: 280 Ltr.

L	B	D	T1	T2
1676	915	390	458	280



### Combi / Aura

Water Capacity: 280 Ltr.

L	B	D	T1	T2
1830	762	420	381	204
1850	928	420	464	254



### Clarino

Water Capacity: 300 Ltr.

L	B	D	T1	T2
1676	762	381	381	230



## Time

Water Capacity: 380 Ltr.

L	B	D	T1	T2
1830	915	500	305	915



## Liara

Water Capacity: 300 Ltr.

L	B	D	T1	T2
1830	1220	445	965	915
1830	1067	406	812	915



## Marina

Water Capacity: 540 Ltr.

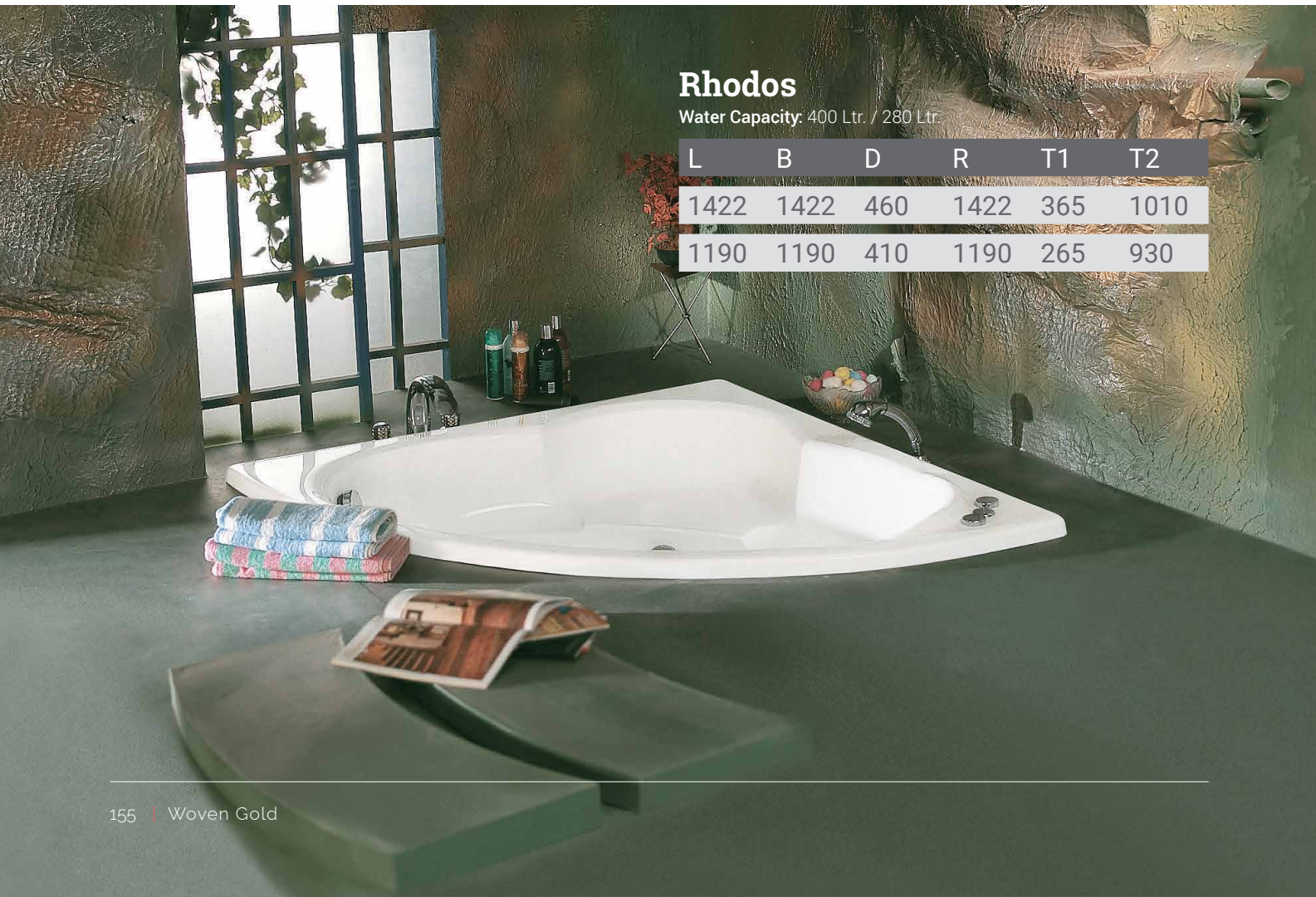
L	B	B1	D	T1	T2
1828	1215	1370	457	1000	907



## Crystal

Water Capacity: 400 Ltr. / 275 Ltr.

L	B	D	R	T1	T2
1422	1422	432	1695	750	1180
1275	1275	432	1545	740	980



## Rhodos

Water Capacity: 400 Ltr. / 280 Ltr.

L	B	D	R	T1	T2
1422	1422	460	1422	365	1010
1190	1190	410	1190	265	930



## Monte Carlo

Water Capacity: 415 Ltr.

Dia	D	T1	T2
1524	483	280	762



## Executive

Water Capacity: 355 Ltr.

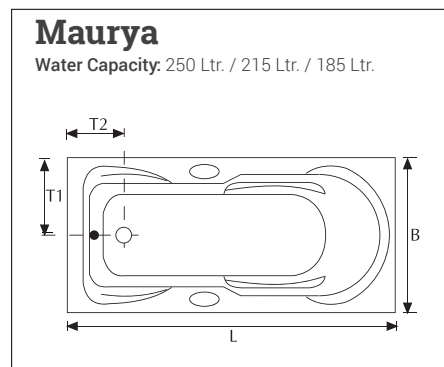
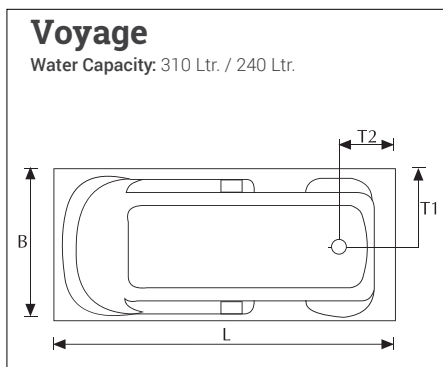
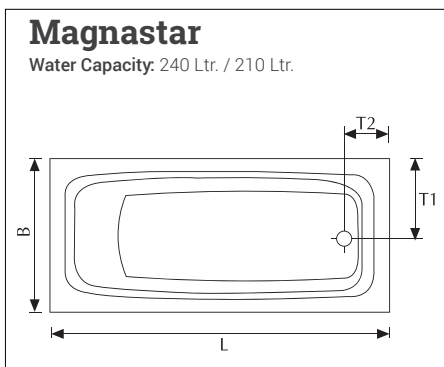
Dia	D	T1	T2
1515	440	920	1150



## Lotus

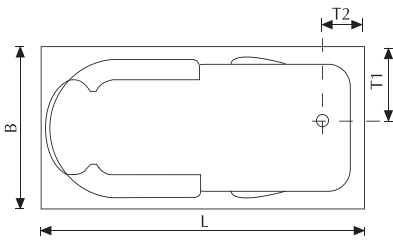
Water Capacity: 600 Ltr.

Dia	D	T1	T2
1829	450	300	830



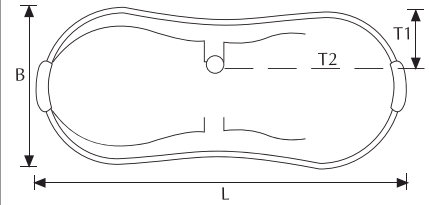
### Christina

Water Capacity: 280 Ltr.



### Time

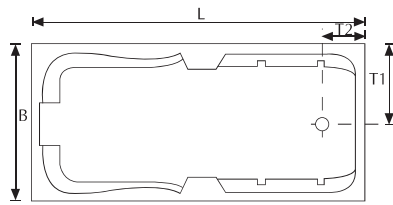
Water Capacity: 380 Ltr.



# Technical Drawing

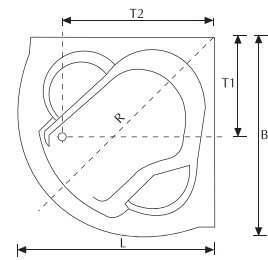
### Clarino

Water Capacity: 300 Ltr.



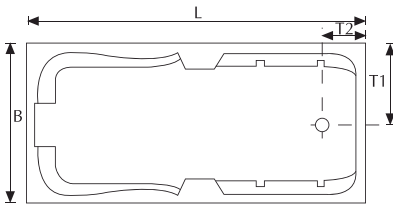
### Crystal

Water Capacity: 400 Ltr. / 275 Ltr.



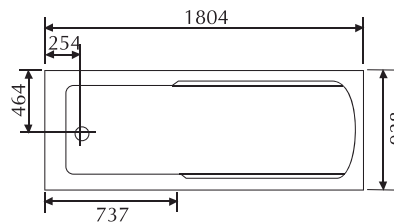
### Combine

Water Capacity: 320 Ltr.



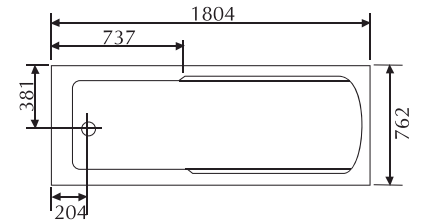
### Combi

Water Capacity: 280 Ltr.



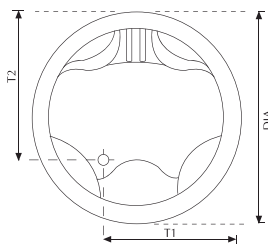
### Aura

Water Capacity: 280 Ltr.



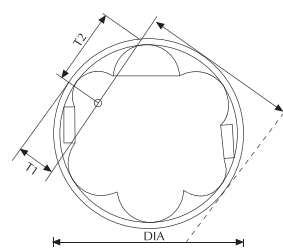
### Executive

Water Capacity: 355 Ltr.



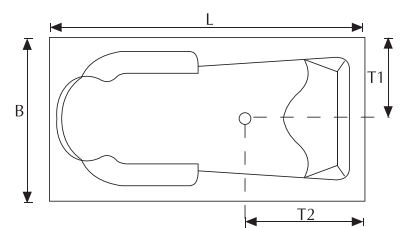
### Lotus

Water Capacity: 600 Ltr.



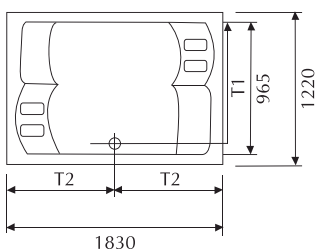
### Optima

Water Capacity: 270 Ltr.



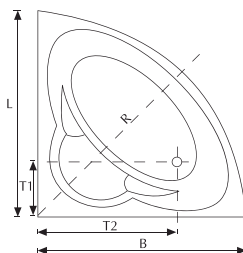
### Liara

Water Capacity: 300 Ltr.



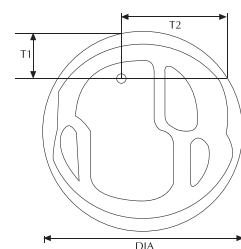
### Rhodos

Water Capacity: 400 Ltr. / 280 Ltr.



### Monte Carlo

Water Capacity: 415 Ltr.



# Steam and Sauna



**WovēnGold**





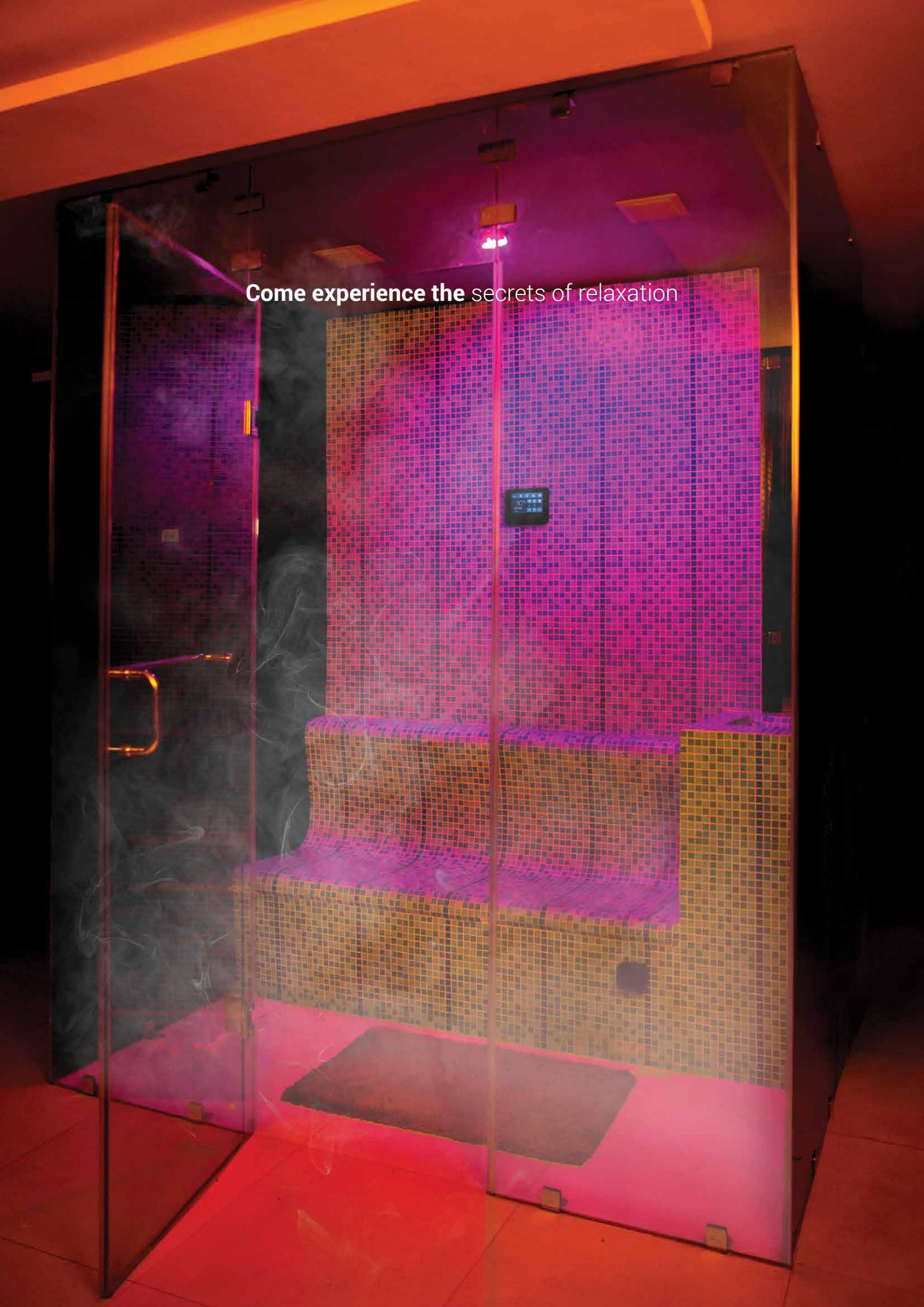
---

# STEAM BATH

YOUR PLACE TO DISCOVER WELLNESS.  
EMBRACE YOUR HEALTH

---

Come experience the secrets of relaxation





---

# I SERIES STEAM BATH

---



---

# I SERIES STEAM BATH

---

## Model Details

Variants: 6Kw / 7.5 Kw / 9 Kw / 12 Kw / 15Kw / 18 Kw  
Control Panel Size: 140mm (W) x 110 mm (H)

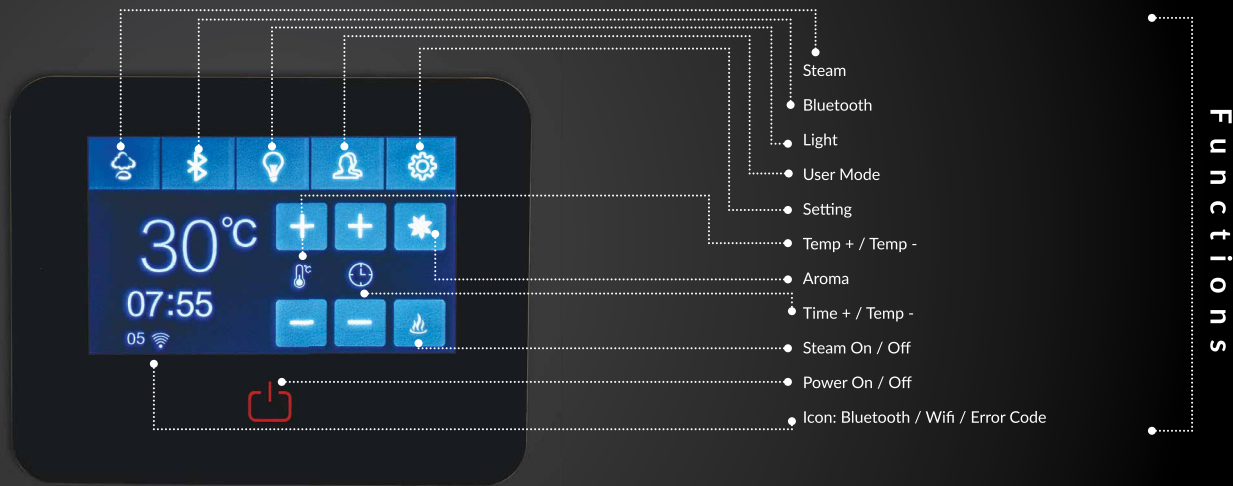
This latest control panel introduced by Woven Gold has the ability to schedule weekly programs and with its progressive memory and timer, this control unit allows you to sit back, relax and focus on nothing but your steam bath experience. The temperature display allows you to monitor the heat and with built-in aromatherapy system you can enjoy the aroma oils along with your steam bath.

## Product Highlights:

1. Touch screen control panel display with
2. Time/temperature setting,
3. 2 user settings,
4. Aromatherapy operational control ,
5. Speaker with amplifier,
6. Chromotherapy light modes selection,
7. Bluetooth connectivity for playing songs.
8. Pre-set steam program for one week.
9. Clock display in power off mode

## Optional:

- Chromotherapy Light
- Speakers
- Ozoniser



### Aromatherapy System

Pumps aroma oil along with steam. Amount of aroma oil & interval in which to pump oil can be customized.



### Chromotherapy light

Different color modes of light can be selected (switched on) by user through control panel.



### Speaker with Amplifier

Play music by wirelessly connecting via bluetooth. Various functions such as play, rewind, next and volume control can be accessed via control panel from inside the steam room.

### BLUETOOTH | USB

Stainless steel steam generator 304 grade with high quality heating coil is built-in with a thermostat to prevent overheating. Automatic drainage of left over water in the tank is ensured. Comes with pre-installed safety valve and water level sensor as a precautionary measure to prevent any mishap. Water is filled through water feed solenoid valve and built in electronic PCB card.



A dimly lit room, likely a spa or relaxation area. The left wall is covered in a blue, grid-patterned material. A dark wooden headboard is visible on the right. The lighting is soft and ambient, creating a relaxing atmosphere.

**Peace, Rejuvenation, Relaxation.** Walk in, Float out.



---

# X SERIES STEAM BATH

---



---

# X SERIES STEAM BATH

---

## Model Details

**Variants:** 4.5 Kw / 6.0 Kw / 9.0 Kw / 12.0 Kw / 15 Kw / 18 Kw

**Control Panel Size:** 180 mm (H) X 102 mm (W)

This stylish control panel with illuminated display is custom designed for those seeking much more than just steam. With options to play music through various platforms like Radio, USB and Bluetooth and equipped with chromotherapy light modes, this amazing product is sure to impress you.

## Product Highlights:

1. LCD display with touch pad
2. Steam function control
3. Temperature set and time set
4. Phone and light, ozoniser
5. Radio
6. Bluetooth
7. Pressure release valve
8. Alarm Volume control

## Optional:

- Chromotherapy Light
- Speakers
- Ozoniser



- On / Off Power
- Display
- Light Control
- Steam
- Fan
- USB
- FM/CD On / Off
- Bluetooth
- Decrease Key
- FM
- Increase Key
- Ozoniser
- Manual
- Remote Reception
- Warning Button
- MIC

Functions



**Chromotherapy light:**

Different color modes of light can be selected (switched on) by user through control panel.



**Speakers:**

Play music by wirelessly connecting via Bluetooth/Radio/USB. Also control volume through the control panel.

BLUETOOTH | USB



Stainless steel steam generator 304 grade. With high quality heating coil is with in built thermostat to prevent overheating. Automatic drainage of left over water in the tank. Pre installed safety valve and water level sensor as a precautionary system to avoid any mishap. Water filling through water feed solenoid valve and built in electronic PCB card.

**The spirit of healing is** profound empathy

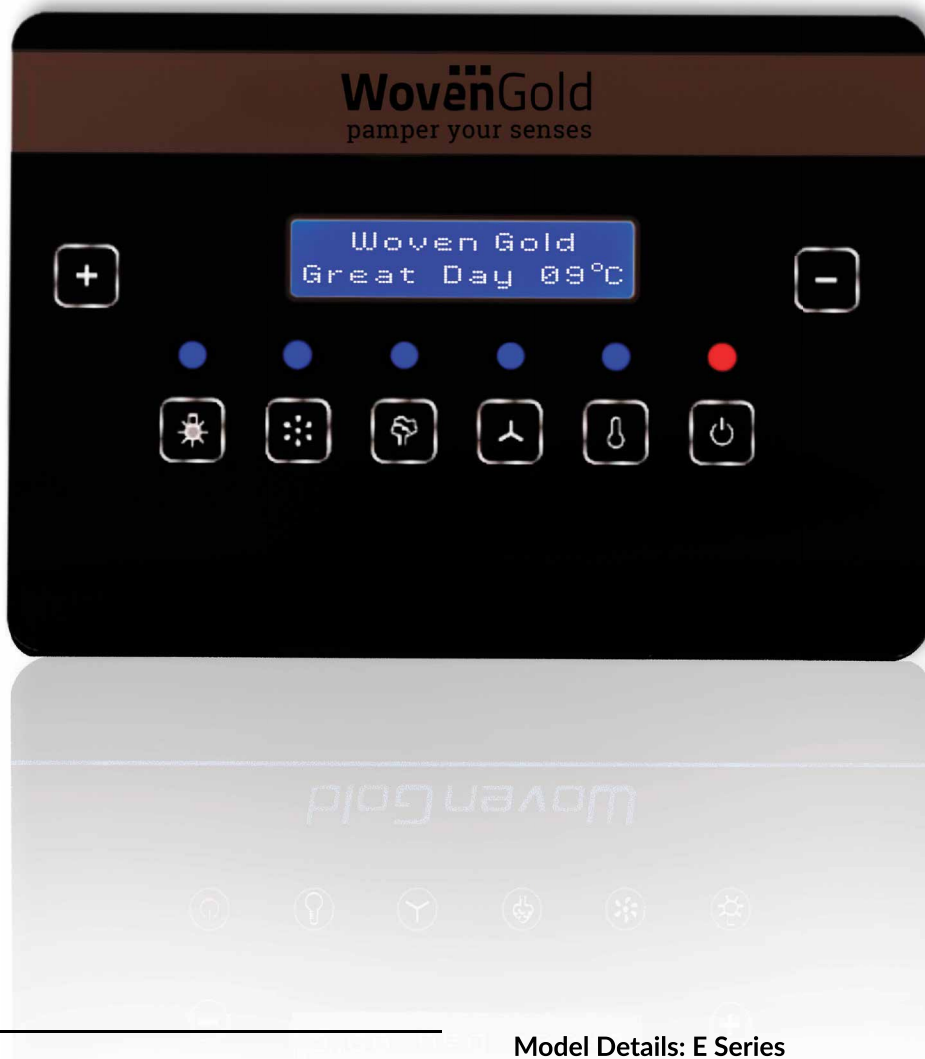




---

# E SERIES STEAM BATH

---



# E&M SERIES STEAM BATH

## Model Details: E Series

**Variants:** ESG 4.5 Kw / 6 Kw / 7.5 Kw /  
9 Kw / 12 Kw / 15 Kw / 18 Kw

1. Electronically controlled steam generator
2. Timer/temperature Setting
3. Chromotherapy Light on/off
4. Thermostatic protection for heater
5. Solenoid valve for tank filling
6. Automatic cut-off of water supply
7. Automatic drainage of the unused water
8. in the tank through solenoid

## Model Details: M Series

**Variants:** MSG 4.5 Kw / 6 Kw

1. Thermostatic protection for heater
2. Solenoid valve for tank filling
3. Automatic cut-off of water supply
4. Gate valve for draining the unused water in the tank





---

# COMMERCIAL SERIES

---

## Model Details

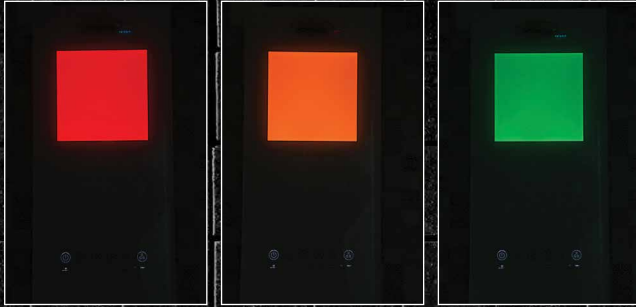
**Variants:** CSG 9 Kw / 12 Kw / 15 Kw /  
18 Kw / 24 Kw

Ideal for large steam rooms, Woven Gold commercial steam bath boilers are designed for optimum user enjoyment and ease of use. A variety of standard features makes these boilers desirable from a facilities maintenance point of view and delivers reliable service for owners. Each unit is designed for easy on-site maintenance and hands-off, automated operation.

1. Heavy duty water feed solenoid
2. Heavy duty drain solenoid for autodrain
3. Big steam tank
4. Long duration operation
5. Design for commercial purpose

# AMBIENT STEAM COLUMN

## Chromotherapy light



Aromatic  
Steam  
Diffuser



Illuminated soft-  
touch controls

- Semi inset installation gives a very neat and elegant look.
- Lacquered white glass
- Illuminated soft-touch controls
- Lights at the bottom of the panel
- Various preset timing options
- Multiple preset temperatures
- Generator capacity: 4.5 KW
- Chromotherapy light
- Aromatic Steam Diffuser
- Built-in ELCB



# How a steam room benefits your skin, muscles, joint pain, stress levels, and more...

Steam baths are known for their relaxation and deep skin cleansing, but steam room benefits also include:

- Relief from muscle soreness
- Relief from stiff joints
- Immune system enhancement
- Lymph detoxification
- Blood circulation improvement
- Sinus congestion relief

Regular use of a steam room can have a positive impact on your health and appearance.

## Respiratory Benefits

Both sauna and steam baths are therapeutic, but the high moisture content in a steam room is especially good for respiratory problems.

For generations, doctors have recommended breathing steam for all kinds of respiratory issues.

Steam baths have been proven to be effective for conditions such as asthma, bronchitis, sinusitis and allergies. Steam can help clear allergens and mucus from your lungs.

A steam room exposes you to a higher concentration of steam, making it more effective for providing relief from breathing problems.

Breathing passages are soothed because of increased moisture content in your lungs, throat and nose.

## Skin Benefits

Nothing is better for your skin than a heavy sweat.

Dermatologists recognize the value of steam in creating

a beautiful, healthy glow. Heavy sweating cleanses your skin more thoroughly than soap and water because it opens your pores and allows deep-seated grime and dead cells to be flushed out. This is one reason for steam baths can be being helpful for acne treatment and some other skin conditions. Also, the heat causes an increase in blood circulation, bringing more oxygen and nutrients to your skin surface. Over time, this can help contribute to a healthy, glowing appearance.

## Pain Relief

Heat has been known to be effective against joint and muscular pain. It causes your blood vessels to expand, which increases blood circulation. As a result, more oxygen and nutrients can reach damaged parts of your body. This has the double effect of temporarily reducing or stopping pain and increasing your body's healing rate. Spending 10 or 15 minutes in a steam room after exercise helps speed up healing of damaged muscle tissue.

## Stress Be Gone

We all know what stress can lead to... high blood pressure, cardiovascular disease, migraine headaches, muscle tension ...and the list goes on.

Relaxing in a steam room is a great way to unwind and relieve stress. The heat tells your muscles to relax, and the cloud of steam provides the perfect soothing atmosphere for calming your mind.

A steam bath before bed promotes deep, restful sleep which is so important for recharging your batteries and healing your body.

### STEAM CHART CALCULATING ROOM VOLUME & CAPACITY FOR STEAM GENERATORS

• Multiply Length (L) X Width (W) X Height (H) of Steam.	• Add 30% for ceramic or porcelain tile on cement board or mortar bed.
• Add 15% for each exterior wall or extra glass panel.	• Add 100% for natural stones (natural marble, stone, shale, glass block, concrete)
• Add 15% for each foot exceeding 8ft in height.	• Add all figures to obtain the total room volume required.

### SELECT THE APPROPRIATE STEAM CAPACITY ACCORDING TO THE CALCULATED ROOM VOLUME FROM THE TABLE GIVEN BELOW.

STEAM CAPACITY (kw)	TOTAL ROOM VOLUME	CURRENT / VOLTAGE	WIRE SIZE	MCB
4.5	Upto 100	20 A / 240V 1Ph	4 mm	25 A, 2 pole
6	101 - 150	25 A / 240V 1Ph	4 mm	32 A, 2 pole
7.5	151 - 225	32 A / 240V 1Ph	6 mm	40 A, 2 pole
9	226 - 360	36 A / 240V 1Ph	6 mm	40 A, 2 pole
12	361 - 575	18 A / 380V 3Ph N	4 mm	25 A, 4 pole
15	575 - 675	22 A / 380V 3Ph N	6 mm	32 A, 4 pole
18	676 - 875	25 A / 380V 3Ph N	6 mm	32 A, 4 pole

NOTE : Earthing is compulsory



---

# SAUNA BATH

INTEGRATIVE HEALTH AND WELLNESS.  
UNLIMITED LUXURY FOR MIND, BODY AND SOUL.

---

---

# BENEFITS OF SAUNA

---

According to many health professionals, benefits of sauna include...

- Immune system strengthening
- Improved blood circulation
- Enhanced detoxification processes
- Skin cleansing and rejuvenation
- Tension and stress relief

Taking saunas can help you lose weight effortlessly and cure almost every health problem.



## **A sauna may help you detoxify**

Raising your body's temperature helps it kill bacteria, fungi, parasites and viruses. Heating the body by several degrees results in increased circulation as the body attempts to maintain its basal temperature. This helps to dislodge toxins, especially from hard-to-reach areas such as teeth, bones and sinuses. Liver and kidney function may also improve by taking saunas.

## **A sauna can benefit your immune system**

Your immune system is always active, but a fever causes it to kick in to high gear. What follows is an increase in your body's production of disease fighting allies like white blood cells and antibodies.

## **Sauna benefits blood circulation**

As your body increases sweat production to keep cool, your heart works extra hard, pumping more blood at a greater rate. This actually provides many of the conditioning benefits of aerobic exercises. Saunas cannot replace exercise, but the heat does provide an environment that causes a profound cardiovascular response.

Good blood circulation helps transport nutrients throughout your body, eliminate toxins, improve heart, liver, and kidney function, and enhance virtually every function in your body.

Good circulation is obviously crucial for us to stay healthy, right?

## **A sauna may improve your appearance**

A heavy sauna induced sweat really helps cleanse and rejuvenate your skin much more than just a bath or shower alone.



The sauna cabin is fabricated from pine wood from Finland, It is double walled and in between the walls, glass wool is packed in order to insulate the sauna room and avoid any heat loss (applicable to double panelling) thick wall and ceiling panels providing greater insulation and structural integrity.

- Discrete nailing to improve visual appearance
- Integrated ducted air vent to ensure efficient air circulation. Internal fillings fabricated from pine wood with low heat conductivity to ensure comfort for bathers
- Sauna benches fabricated from extra thick with slat hot source heaters with large sauna rack capacity to enhance steam vapours release.
- Provided with a wooden bench, ventilator, glass door and light.

**NOTE: CUSTOMISED SAUNA CABIN AT SITE**

---

## SAUNA CABIN STANDARD SIZES

---

**WG SA101:** 120 x 90 x 210 cm (4.5 kw)

**WG SA102:** 120 x 120 x 210 cm (4.5 kw)

**WG SA103:** 150 x 120 x 210 cm (4.5 kw)

**WG SA201:** 180x120x210 cm (6 kw)

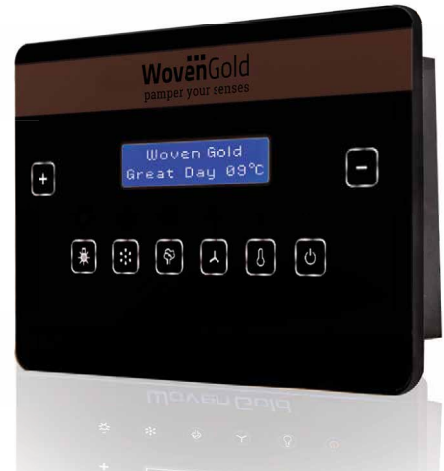
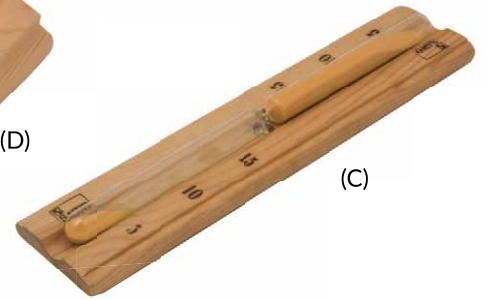
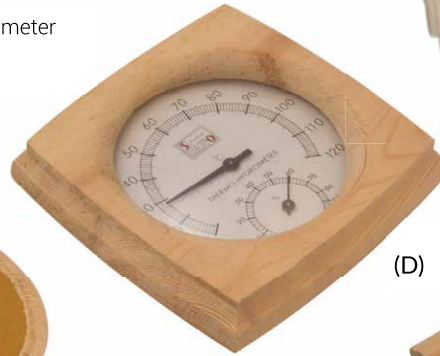
**WG SA202:** 180x150x210 cm (6 kw)

**Layouts on page number 201**



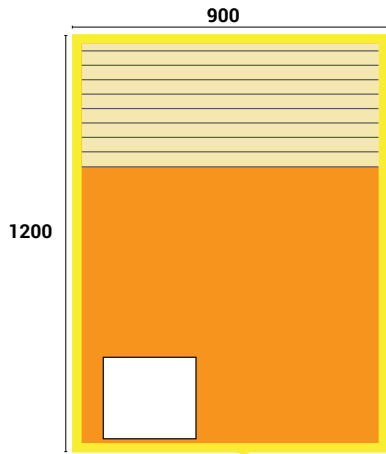
# RANGE OF ACCESSORIES

- (A) Sauna lamp
- (B) Wooden bucket with spoon
- (C) Sand meter
- (D) Sauna thermo hygro meter
- (E) Lava stone

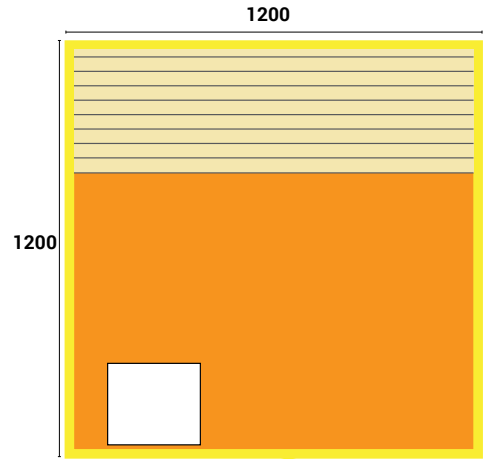


**Electronic control panel heater with control.**

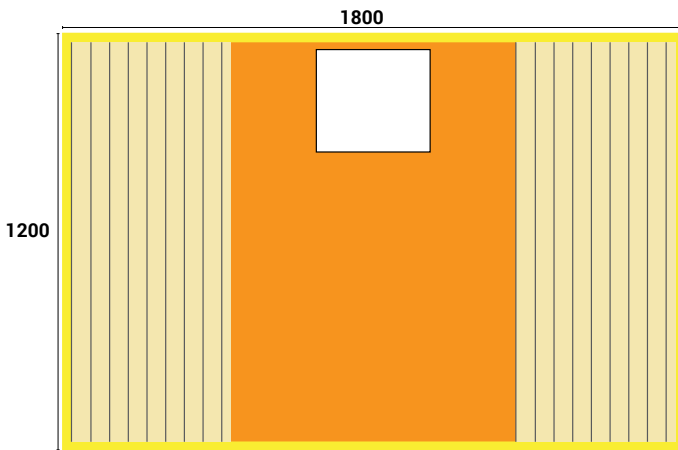
For timer/temperature and connection for light.



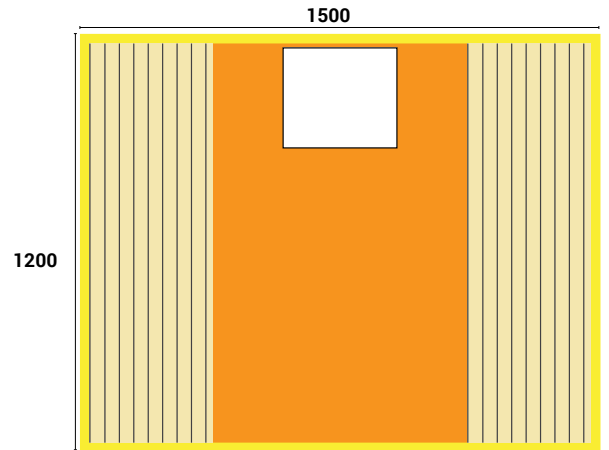
WG SA101:



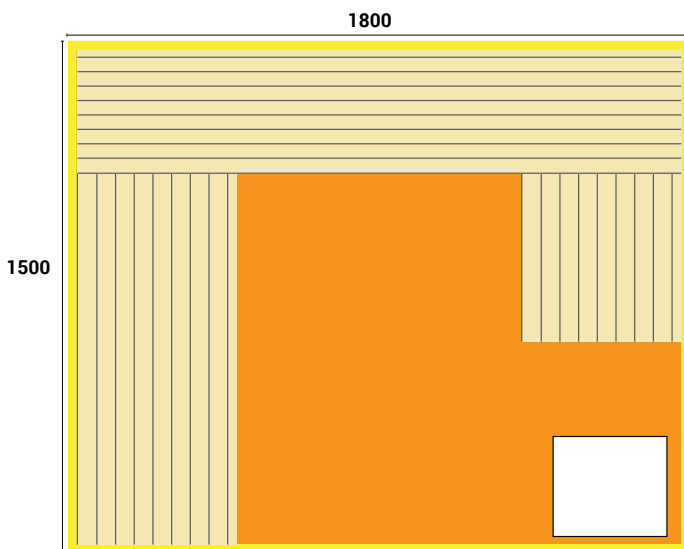
WG SA102:



WG SA201:



WG SA103:



WG SA202:

## SAUNA CABIN LAYOUT

**WG SA101:** 120 x 90 x 210 cm (4.5 kw)

**WG SA102:** 120 x 120 x 210 cm (4.5 kw)

**WG SA103:** 150 x 120 x 210 cm (4.5 kw)

**WG SA201:** 180x120x210 cm (6 kw)

**WG SA202:** 180x150x210 cm (6 kw)

---

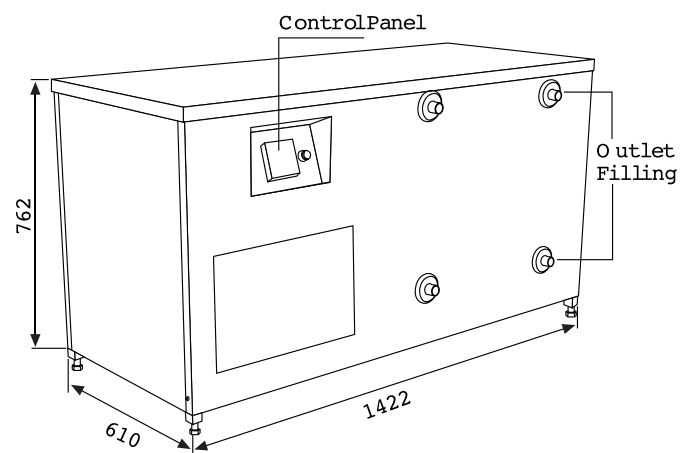
# WOVENGOLD CHILLER

---



## Features:

- Frame of a unit is made of S.S.
- Tank inner is made of 30420 SWG S.S. sheet. Tank outer is made of 20222 SWG S.S. sheet.
- The outer body is made of totally pre-polished hairline finish and is plastic coated.
- Unit is insulated with liquid puff.
- Copper piping is used for cooling system inside the unit.
- Top opening door with lock is provided.
- The unit has one shields
- Compressor make of KIRLOSKAR
- The unit has features for setting time, temperature, a miniature current breaker, on/off system and the indicator for inside water temperature.
- The unit has S.S. legs with adjustable feet.



**NOTE: CAPACITY AND SIZE CAN BE CUSTOMISED.**



# Multi- function Cubicles

WovēnGold





# Features that relaxes life...

## Control Panel

touch screen control panel with LED Display. It is very user friendly.

## Steam Generator

Steam Generator is installed inside whose controls are in the touch panel.

The most important keys are prompt into the display (Temperature, Session Time and Lights).

## Safety Glass

Made of toughened safety glass and high-quality hardware 6 mm toughened glass for safety with polished chrome finish hardware.

## One-Stop-Solution

It comes in wide range of designs and shapes that offers something for every space.

The collection is extremely versatile.

## Music

The control panel has in built radio which you can tune for listening to radio.

You can connect your mobile to the system via bluetooth and play your favorite song .

## SafetyFeatures

Automatic shut down safety protection, Keypad goes into lock mode if untouched for safety, alarm function, ozonizer and an indicator comes on control panel when there is no water in the steam tank.

# The Envy



## Technical Specification: Outer dimensions:

- L 2430 x D 1525 x H 2170 (mm)

## Sauna Cabin

Size :1525 x 1560 x 2170 (mm)

- Hemlock wood
- Mood lighting under the benches+backrest +roof
- Touch control panel with timer/
- Temperature control
- 6 KW Sauna Heater with Lava Stone
- Accessories: Wooden bucket & Spoon,

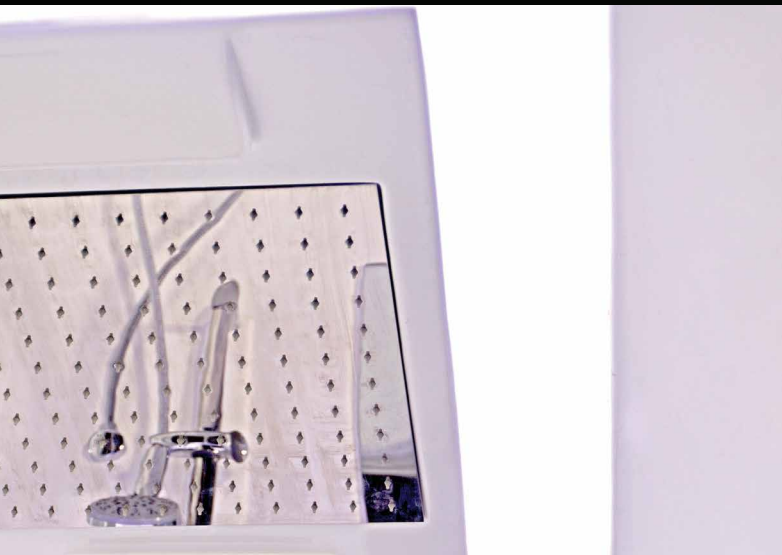
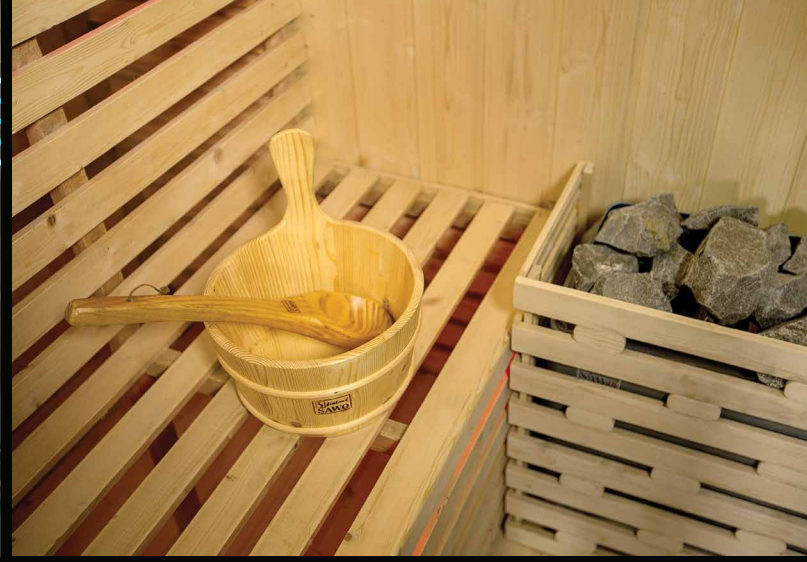
- Sand meter
- Thermo hygrometer
- Two level seating
- Accommodates up to 4 people
- Three sides finished.
- 8 mm glass door with glass partition
- Door with Handles

## Steam Shower System

Size:1525 X 860 X 2170 (mm)

- Big Rain shower 400 mm with twin powerfall

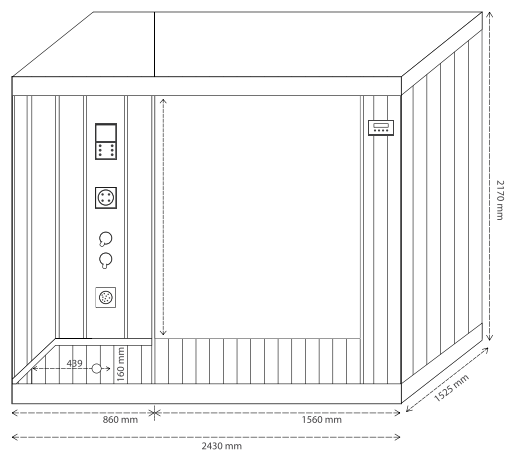
- Water efficient & Self Cleaning Almar jets -2 nos.
- Hot and Cold mixer with diverter & hand shower
- Touch control panel with remote
- Touch control panel with timer/ temperature control
- Steam Generator
- Aroma Therapy Steam Outlet
- Circular light
- Exhaust system
- Steam generator 3 KW
- FM/CD/Telephone system



- Speaker
- Foot massager
- Door of 8 mm Thick toughened glass
- Two embedded seats

**Safety Features:**

- Ozone O3
- Alarm



# The Radiance



- Bathtub shell
- Sanitary ware grade acrylic with
- Fiberglass reinforcement
- Pre leveled tub bottom
- Framed leg construction
- Slip resistant textured bottom
- Lying concept allows up to 2 recline position with two removable comfort neck soft cushion

**Installation type:** Built in, Corner

**Technical specification:** Outer Dimensions:

- L1660 X W1633 X H 2320 (mm)
- Water volume till overflow level
- Whirlpool operating water level volume
- Maximum weight on the floor

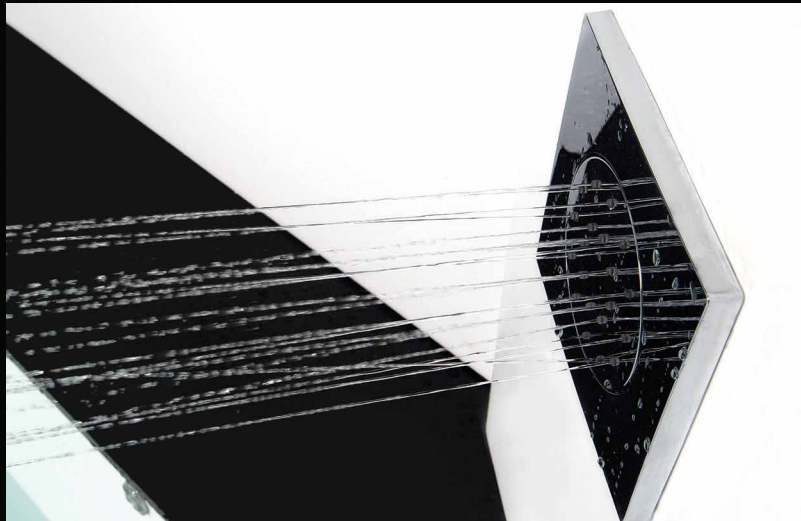
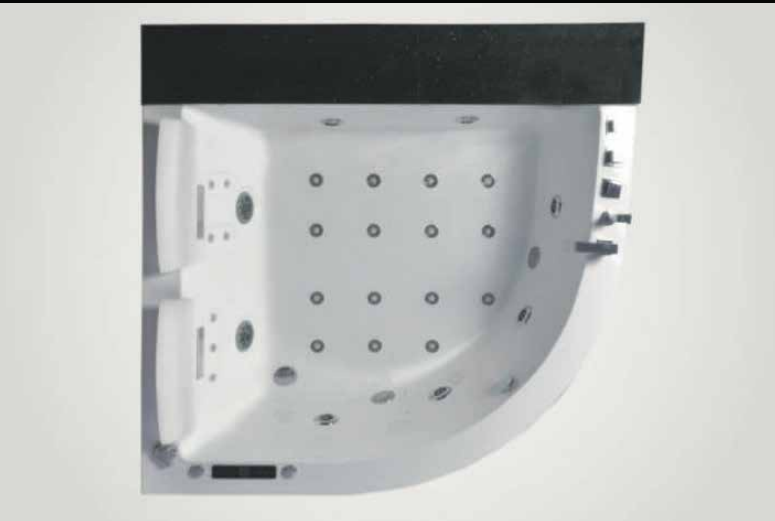
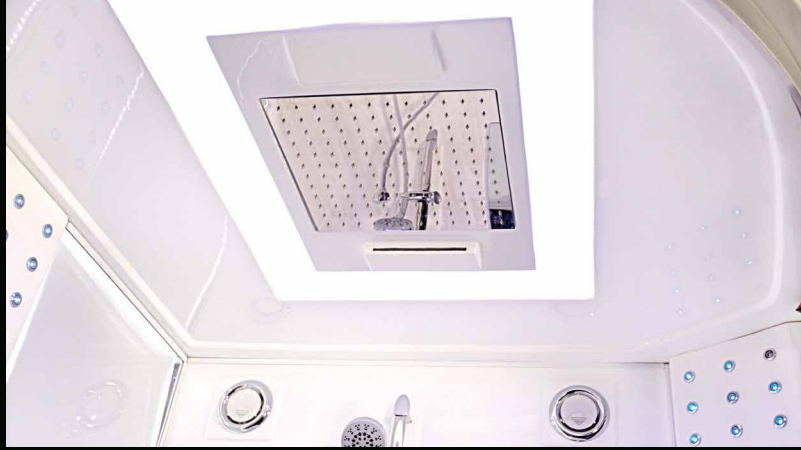
## Product Highlights

### Whirlpool bath

- Electronic control
- Water drain with pop up & over flow
- Designer pillow 2pcs
- 2 hp pump for Jacuzzi
- 1 hp pump for water fall & neck water fall
- Air blower pump for air massage
- Neck fall 2pcs
- Chromo Light 6pcs under water fall, air massages jets with chromo light 15pcs
- Big hydro massage jet 8pcs, back jets 7pcs
- Marble top 1pcs
- Big water fall under the marble top 1pcs

### Steam Shower

- Rainshower 400mm with twin cascade fall
- Toughened reflective glass
- Looking mirror, High flow single lever mixer with four way diverter
- Exhaust fan
- Circular light
- Radio
- CD terminal input with speaker
- Concealed LED light behind wall for illumination
- Telephone incoming
- Steam generator with aromatherapy
- Steam outlet



- Multiple flow hand shower
- Setting timer and temperature for steam
- Touch screen control panel with remote
- Foot massage

- Online heater for water temperature stabilization
- Front skirt & Side skirt
- Touch Screen Panel with builtin USB Multimedia Player

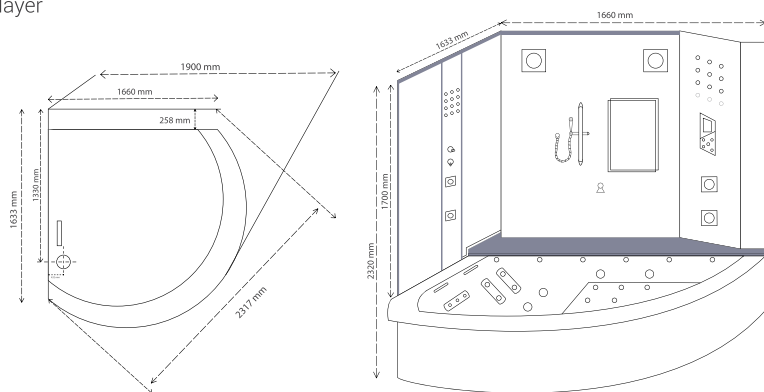
**Safety features**

- Water level sensor
- Dry run protection for whirlpool pump
- Lock mode feature in control panel

**Hygiene**

- Water pump with self draining feature
- Residual water draining after using the bath
- Easily removable bathtub panels
- Ozone O3

**Optional features**



# WG 2024

Size: 1200l m x 800w x 2150h mm

## Features

- 6 Body Jets
- 2 Ceiling Lights
- Speaker
- Rain Shower
- Hand Shower
- Bluetooth
- Duck Board
- Steam 3 KW
- 1 Toiletry Shelf
- 6 mm Toughened Glass
- Electronic Control Panel
- Three Side Transparent Glass

## Safety Features

- Earth leakage current breakage



# WG 2025

Size: 1200l m x 900w x 2150h mm

## Features

- 8 Body Jets
- 1 Ceiling Lights
- Speaker
- Rain Shower
- Sliding Hand Shower
- Bluetooth
- Duck Board
- Steam 3KW
- 1 Toiletry Shelf
- 6mm Toughened Glass
- Electronic Control Panel
- Three Side Transparent Glass

## Safety Features

- Earth leakage current breakage



# WG - 2007/2008





**Size:** 900 x 900 x 2080 mm \ \ Size: 1050 x 1050 x 2080 mm

**Features**

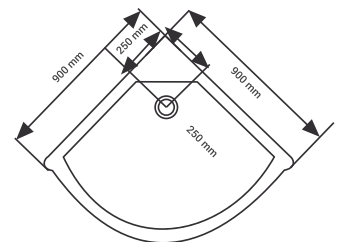
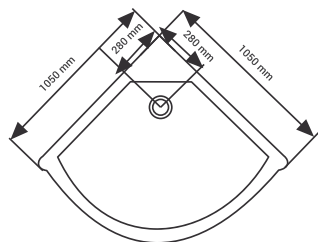
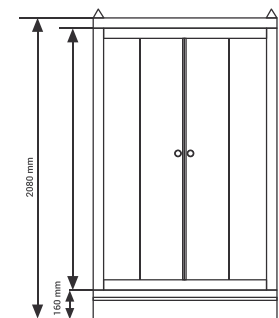
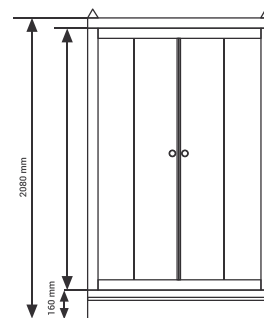
- Mixer with diverter
- Hand shower
- Twin type hydromassage jets
- Exhaust fan
- Alarm
- Speaker
- Electronic control steam unit
- Big rain type head shower
- Radio/Fm

**Highlights**

- Electronic control panel for steam
- Steam outlet with aroma therapy
- Electronic setting for timer and temperature
- Hands-free for telephone receiver
- CD connection
- Foot massage

**Safety Features**

- Earth leakage current breakage





**Q - 3010**  
**Q - 3011**

**Q - 3010 Size:** 915 x 915 x 2170 mm

**Features**

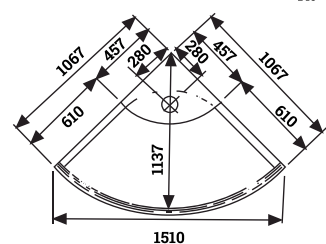
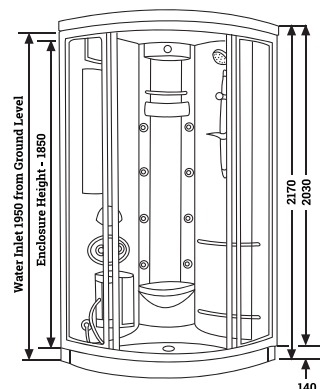
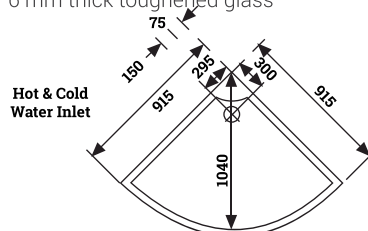
- 8 hydromassage jets
- Foot Massage
- Steam Generator 3 KW
- Overhead Shower
- Handsower with adjustable spray
- Hot & Cold Mixer
- Shelf for toiletries
- Circular light
- Equipped with timer and temperature

**Safety Features**

- Earth leakage current breakage

**Q - 3011 Size:** Size: 1067 x 1067 x 2170 mm

- Fitted with AM/FM radio with stereophonic effect
- Electronic keypad with remote control for steam generator/AM/FM/
- Radio/ Light/ Telephone/Shower system
- Large Mirror
- Incoming telephone
- Exhaust system
- Door of 6 mm thick toughened glass





# Q - 3009A

**Q - 3009A Size:** 915L x 915W x 2170H mm

### Features

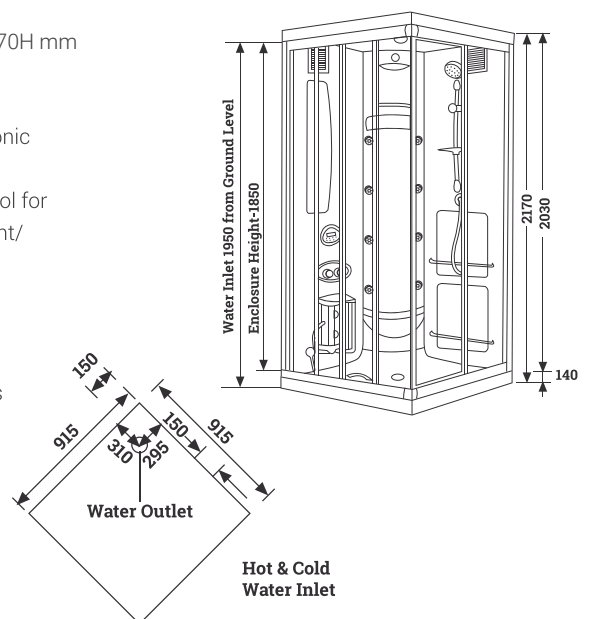
- 8 self-cleaning hydromassage jets
- Foot Massage
- Steam Generator 3 KW
- Over Head Showre
- Handshower with adjustable spray
- Hot & Cold Mixer
- Shelves & Toiletries
- Circular Light
- Equipped with timer and temperature

### Safety Features

- Earth leakage current breakage

**Q - 3009B Size:** 1065L x 1065W x 2170H mm

- Fitted with FM Radio with stereophonic effect
- Electronic keypad with remote control for steam Generator/AM/FM Radio/Light/Telephone/Shower System
- Large Mirror
- Incoming Telephone
- Exhaust System
- Door of 6 mm thick toughened glass





## WG - 2011 Mistiq

**Size:** 1830 x 915 x 521 x 2250 mm

### Features

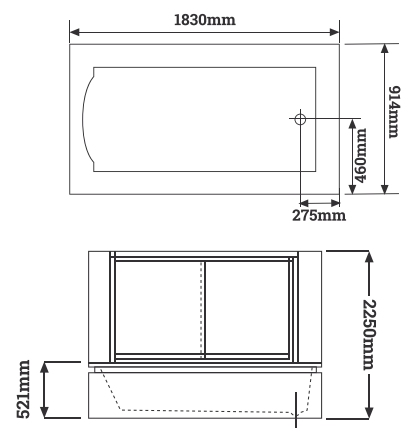
- LCD display with remote
- Steam generator - 3 kw
- Setting time & temperature
- Radio with FM
- Telephone & CD connection
- Circular light
- Exhaust fan
- Big rain shower
- Waterfall
- 8 self cleaning hydro massage jets
- 4 back massage jets
- Hand shower with multiple flows with adjustable rail
- Foot massage
- Steam outlet with aromatherapy
- Single lever mixer with four way divertor
- Bath tub filler
- Speaker
- Vanity rack
- Toughened reflective wall glass
- Ozonizer

### Tub

- 2 HP hydromassage pump
- Seven big jets
- Pop up for drainage
- Designer pillow
- Eight Air therapy jets with cromalight

### Safety Features

- Dry running poster
- Water level sensor





# WG - 2012 Enigma

**Size:** 1830L x 1219W x 503D x 2245H mm

## Features

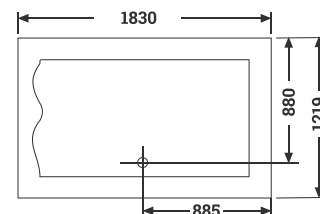
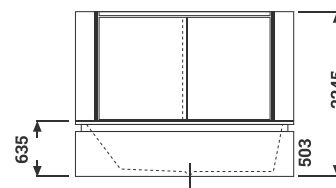
- LCD display with remote
- Steam generator - 3 k.w.
- Setting time & temperature
- Radio with FM
- Telephone & CD connection
- Circular light
- Exhaust fan
- Big rain shower
- Waterfall
- 8 self cleaning hydromassage jet
- 4 back massage jet
- Hand shower with multiple flows with adjustable rail
- Foot massage
- Steam outlet with aromatherapy
- Single lever mixer with four way divertor
- Bath tub filler
- Speaker
- Vanity rack
- Toughened reflective wall glass
- Ozonizer

## Tub

- 2 HP hydromassage pump
- 8 hydromassage jet
- 11 micro jets
- Under water chromotherapy light
- Pop up for drainage
- Designer pillow
- 16 air therapy jets with blower

## Safety Features

- Dry running poster
- Water level sensor





## Q - 3007

**Size:** 1321L x 1321W x 447D x 2265H mm

### Features

- 8 self-cleaning hydromassage body jets
- 6 hydrotherapy massage jets for whole body powered by Koller pump of 2 HP
- Foot Massage
- Foot massage
- Designer pillow
- Seat
- Steam Generator 3 K W
- Rain Shower
- Handshower with adjustable spray
- Hot & Cold Mixer
- Ozonizer
- Designer Toiletry Shelves
- Circular Light
- Equipped with Timer and Temperature
- Fitted with AM/FM Radio with stereophonic effect
- Electronic keypad with remote control for steam Generator/AM/FM Radio/Ligh/ Telephone/Shower system
- Large Mirror
- Incoming Telephone
- Exhaust System
- Door of 6mm thick toughened glass

### Optional

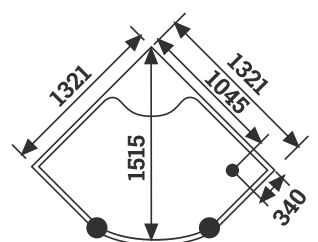
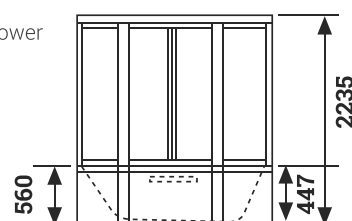
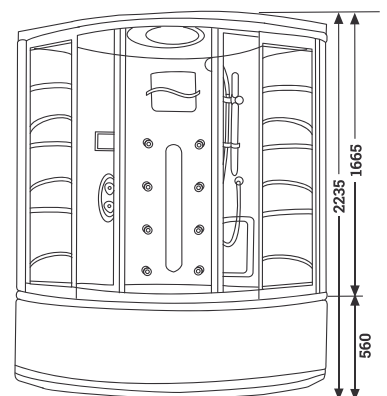
- Online heater

### Safety Features

- Earth Leakage Current Breakage, Water Level Sensor

- 8 air therapy jets with blower

- Dry running protection





# WG - 2010

**Size:** 1470 x 1470 x 2230 mm

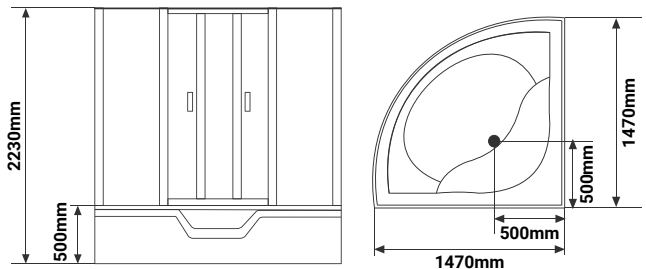
### Features

- Roof light
- Mixer with divertor
- Hand shower with adjustable rail
- Hydrotherapy body jets
- Exhaust fan
- Alarm
- Speaker
- Electronic control steam unit
- Big rain type head shower
- Bathtub with whirlpool system with
- 6 adjustable hydrotherapy massage jets
- Radio/FM
- Seat
- Four spinal jets for back massage
- Bathtub pillow
- 8 air therapy jets without blower



### Safety Features

- Dry running protection
- Water level sensor





# WG - 2013 Axis

**Size:** 1535 x 1535 x 495 x 2250 mm

## Features

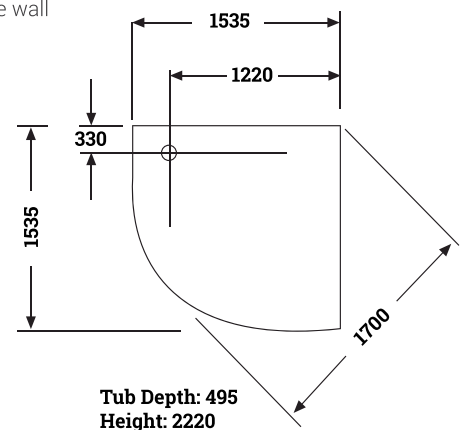
- LCD display with remote
- Steam generator - 3 k.w.
- Setting time & temperature
- Radio with FM
- Telephone & CD connection
- Circular light
- Exhaust fan
- Big rain shower
- Waterfall
- 8 self cleaning hydromassage jets
- 4 back massage jet
- Hand shower with multiple flows with adjustable rail
- Steam outlet with aromatherapy
- Single lever mixer with four way diverter
- Speaker
- Vanity rack
- Toughened reflective wall glass
- Ozonizer

## Tub

- 2 HP hydromassage pump
- 6 hydromassage jet
- Adjustable seat
- Flow diverter
- 7 micro jets
- Under water chromotherapy
- Pop up for drainage
- Designer pillow
- Air therapy massage system with chroma
- Foot massage
- Water filler

## Safety Features

- Dry running protection
- Water level sensor





# WG - 2014 Raybon

**Size:** 1465L x 1465W x 462D x 2405H mm

## Features

- LCD display with remote
- Steam generator - 3 k.w.
- Setting time & temperature
- Radio with FM
- Telephone & CD connection
- Circular light
- Exhaust fan
- Big shower
- Waterfall
- 8 self cleaning hydromassage jets
- 8 back massage jets
- Hand shower with multiple flows with adjustable rail
- Foot massage
- Steam outlet with aromatherapy
- Single lever mixer with four way diverter
- Bath tub filler
- Speaker
- Towel rod
- Vanity rack
- Big mirror
- Ozonizer

## Tub

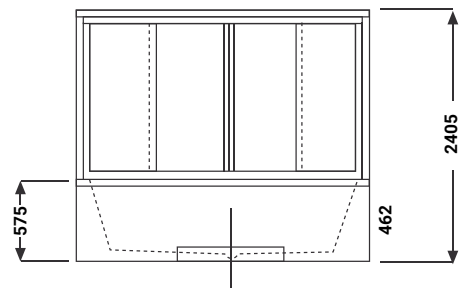
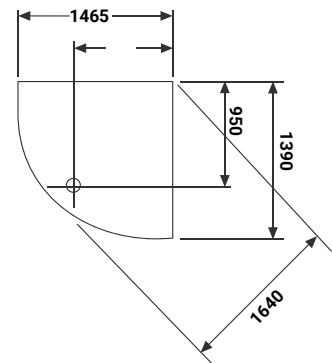
- 2 HP hydromassage pump
- 6 hydromassage jet
- 8 micro jets
- Under water chromotherapy
- Pop up for drainage
- Designer pillow

## Optional

- Online heater
- 8 air therapy jets with blower

## Safety Features

- Dry running protection
- Water level sensor



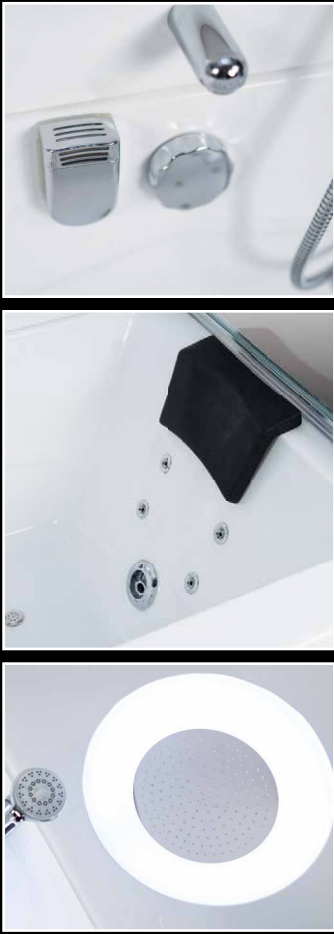


## WG - 2023

**Size:** 1524L x 1068W x 2064 H mm

### Features

- 4 Hydro massage jets
- 3 flow hydro massage jets -4 pcs
- Back massage body jets -4 pcs
- Cascade fall
- Chroma light -16 pcs
- Rain shower
- Hand shower with chain -1 set
- Shower seat (foldable) -2 pcs
- Touch control panel
- Aromatic steam outlet -2 pcs
- Sliding glass door- 6 mm
- Exhaust fan
- Radio, Bluetooth
- Ozoniser
- Hot & cold mixer with diverter
- Steam generator 3 kw



## Q - 3006

**A) Size:** 1803L x 914W x 521D x 2210H mm

**B) Size:** 1676L x 762W x 521D x 2210H mm

**C) Size:** 1524L x 915W x 521D x 2210H mm

### Features

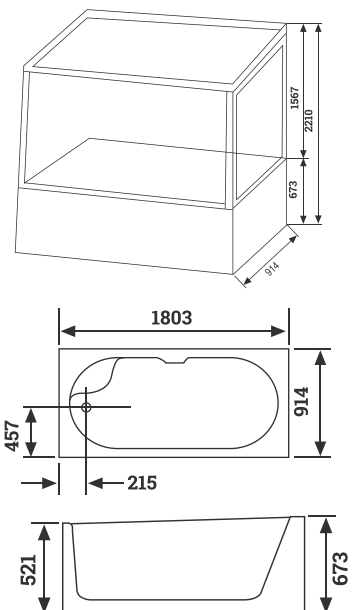
- 8 Self-cleaning hydro massage body jets
- 6 Hydro massage jets for whole body powered by Koller pump of 2 HP
- Micro Jets -4 pcs
- Foot Massage
- Steam Generator 3 kw
- Big Rain Shower
- Hand shower with adjustable spray
- Hot & Cold Mixer
- Toiletry Shelves
- Towel Racks
- Circular Light
- Ozoniser
- Equipped with Timer and Temperature
- Fitted with AM/FM Radio with stereophonic effect
- Electronic keypad with remote control for steam Generator/AM/FM Radio/Ligh/Telephone/Shower system
- Large Mirror
- Incoming Telephone
- Exhaust System
- Door of 6mm thick toughened glass

### Optional

- Online heater
- 8 air therapy jets with blower

### Safety Features

- Dry running protection
- Water level sensor





# Q - 3001 A

**Size:** 1828 x 1220 x 2150 mm

### Features

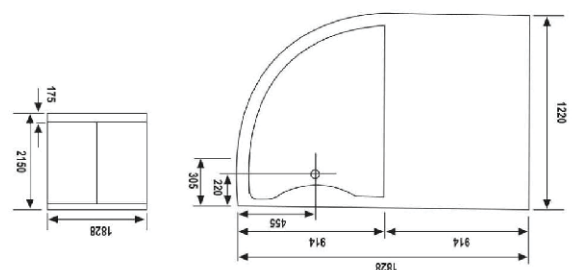
- Roof light
- Mixer with diverter
- Hydrotherapy body jets
- Exhaust fan
- Alarm
- Speaker
- Electronic control panel
- Steam generator
- Steam outlet with aromatherapy
- Sliding rail with hand shower
- Toughened glass enclosure
- Toiletry shelf
- Big rain shower
- Radio / bluetooth
- Mic for telephone receiver

### Sauna

- Sauna generator
- Sauna accessories
- Bench



**Q - 3001 B**





# WG - 2017

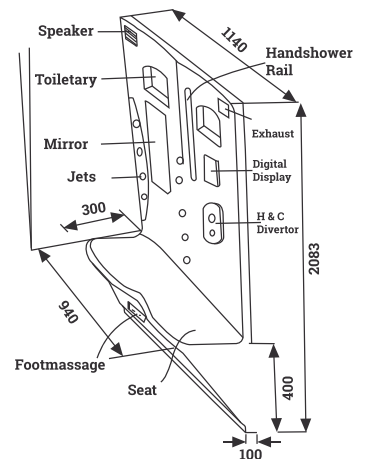
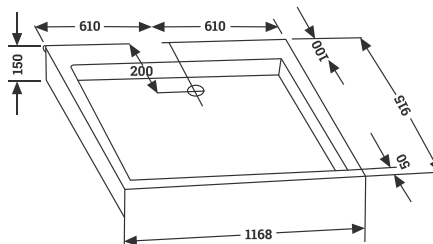
**Size:** 1168 x 915 x 150 x 2083 mm

## Features

- 6 hydromassage jets
- Hand shower with adjustable sliding rail
- Divertor with four function for handshower / rain shower / hydromassage jets
- Overhead showers with circular light system
- Shelf for toiletries
- 2 person steam room
- Timer and temperature control
- Fitted with AM / FM radio with stereophonic effect
- Incoming telephone receiver
- Electronic keypad with remote control for steam generator/AM/FM/
- Radio/ Light/ Telephone/Shower system
- Fitted with large Mirror
- Sliding door with 6 mm toughened glass

## Safety Features

- Earth leakage current breakage





# Concord Steam

**Size:** 1830L X 1118W X 2073H (MM)

## Features

- Steam room is made of high quality special fiber and mixed chemical proof against crack.
- It can stand high temperature of 700C over 120hours and keeps original appearance without distortion and crack
- Included with 6 kw steam generator, Capacity for 4 person, Hand shower, Diverter for with hot and cold mixer, Rain shower, Chroma light, FM Timer temperature setting, Telephone receiving.

**Note:** Size will be increased by 2ft both sides for two Person.



For the  
jazz of  
life relax,  
Revitalize  
and  
recharge  
your soul.



Scan to visit website

For more details visit our website [www.wovengoldindia.com](http://www.wovengoldindia.com)  
Call us at toll free / direct line. For general query: [info@wovengoldindia.com](mailto:info@wovengoldindia.com)

#### Contacts us now...

**Customer care**  
+91 9350517010

[care@wovengoldindia.com](mailto:care@wovengoldindia.com)

**Sales Enquiry**  
+91 8447339289, 9311702711,  
+91 9350517010, 7290099043

**For General Information**  
[info@wovengoldindia.com](mailto:info@wovengoldindia.com)

**Website**  
[www.wovengoldindia.com](http://www.wovengoldindia.com)

#### Display Centres - Delhi | Ahmedabad | Surat | Jaipur | Mumbai | Raipur | Dehradun | Lucknow | Ludhiana | Indore

**Delhi:**  
Plot No. 414,  
Patparganj Industrial Area  
Delhi 110092, India

**Ahmedabad:**  
102 - 103 Iscon Plaza,  
Near Jodhpur Char Rasta,  
Satellite Road, Ahmedabad 380015,  
Gujarat, India

**Mumbai:**  
Kheera Nagar Industrial Estate,  
F-5, 1st Floor, B.M. Bhargav Marg,  
Kheera Nagar, Santa Cruz (W), India

**Surat:**  
90, Jay Jalaram Industrial Society,  
Opp Homeopathic College, Near  
Navjivan Circle, Udhana Magdalla Road,  
Surat 395017, India

**Jaipur:**  
C-2A & C-11, Basement Floor,  
Krishnapuri Badarwas Gopalpura,  
Bypass Road, Jaipur 302020,  
Rajasthan, India

**Indore:**  
Magnet, Ground Floor,  
Plot No ED 78, Scheme No 94,  
Near: Robot square (Barfani Dham  
Square Ring Road, Indore 452010, India

**Lucknow:**  
Woven Gold Acrylic India Pvt. Ltd.  
Opp. Rajat Group of College,  
Chinhit Faizabad Road, Lucknow  
227105, UP, India

**Raipur:**  
2nd Floor, Laalganga Business Park,  
NH-43, Pachpedinaka, Raipur,  
Chhatisgarh, 492001, India

**Dehradun:**  
Anand Tower, New Cantt Road,  
Dehradun, Uttarakhand, India

**Ludhiana:**  
Shop Property No 713-F/A,  
Saheed Bhagat Singh Nagar,  
Ludhiana, India

**Bangalore:**  
Woven Gold Acrylic India Pvt. Ltd.  
No. 829, Mezzanine Floor 3rd Cross,  
1st Block, HRBR Layout, Kalayan Nagar,  
Bangalore 560043 India

**Pune:**  
Woven Gold Acrylic India Pvt. Ltd.  
Hillside 45, 2nd & 3rd Floor, Next to Trident,  
S.No. 45/1 to 10/2 (p) 1, (p) 1,  
Opposite Audi Showroom, Mumbai,  
Pune-Bangalore Highway, Baner,  
Pune-411045

[www.wovengoldindia.com](http://www.wovengoldindia.com)